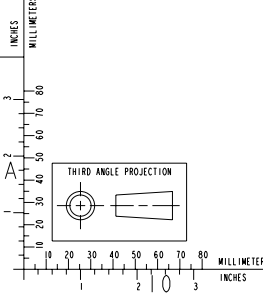
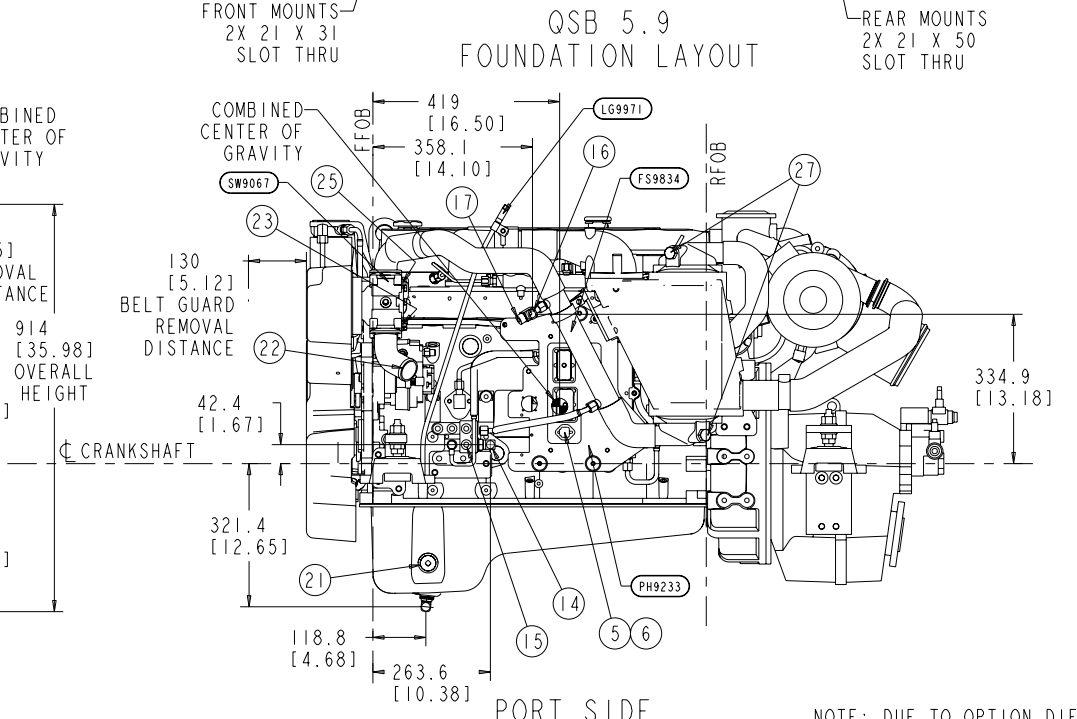
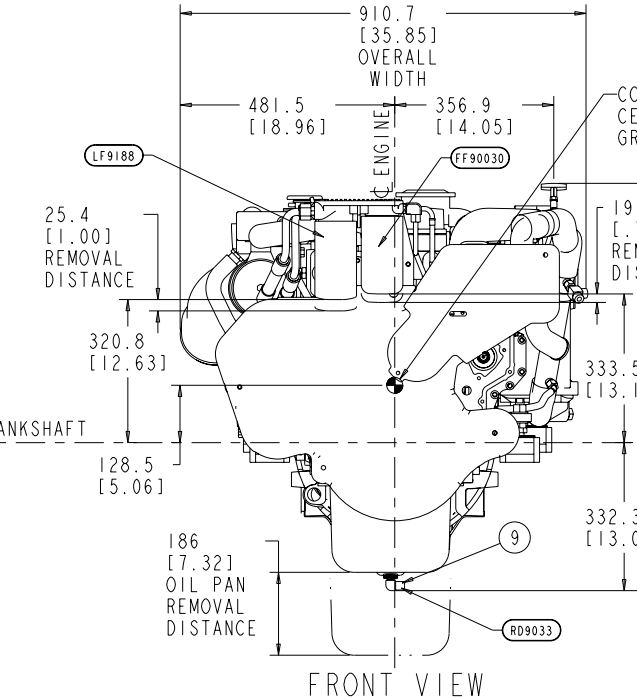
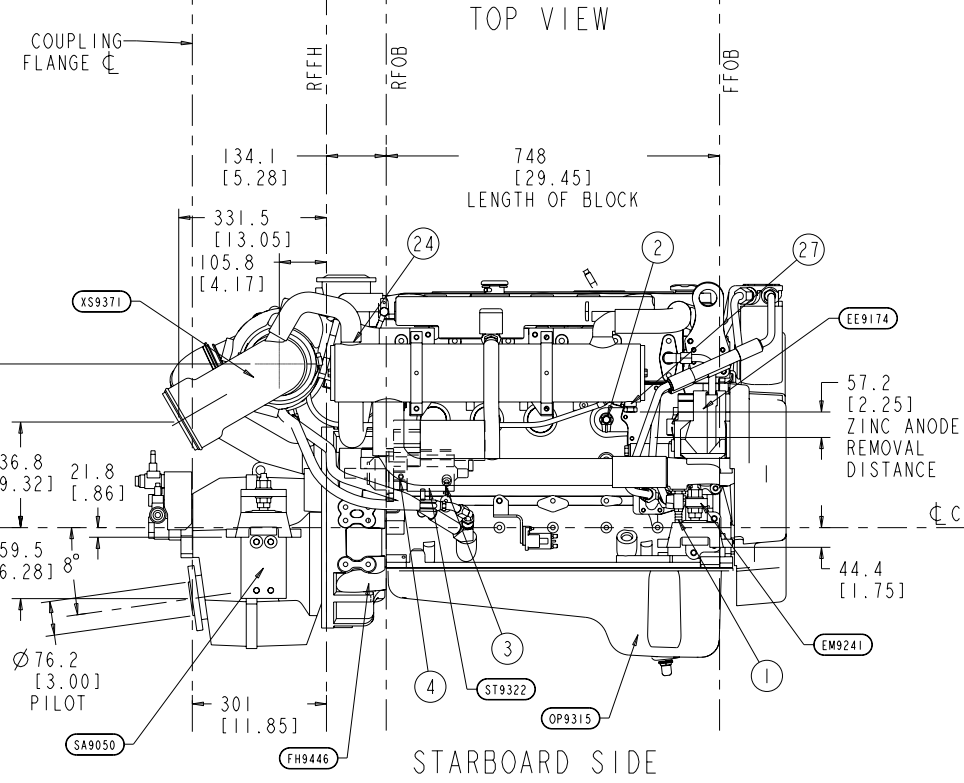
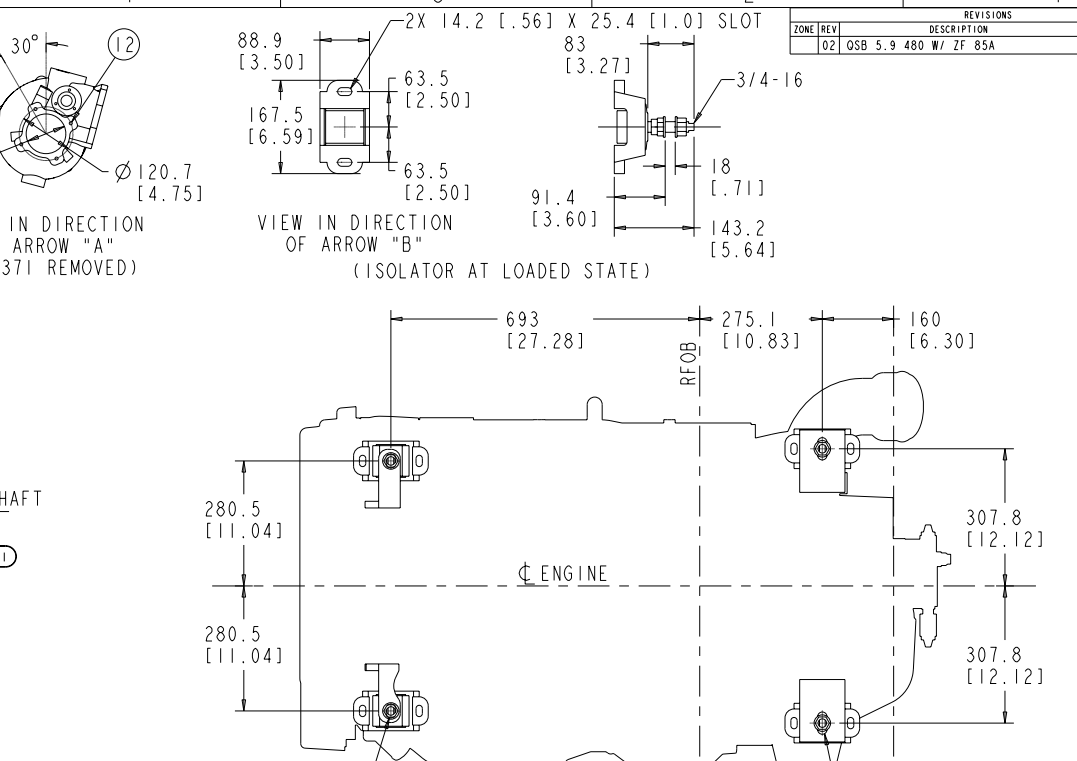
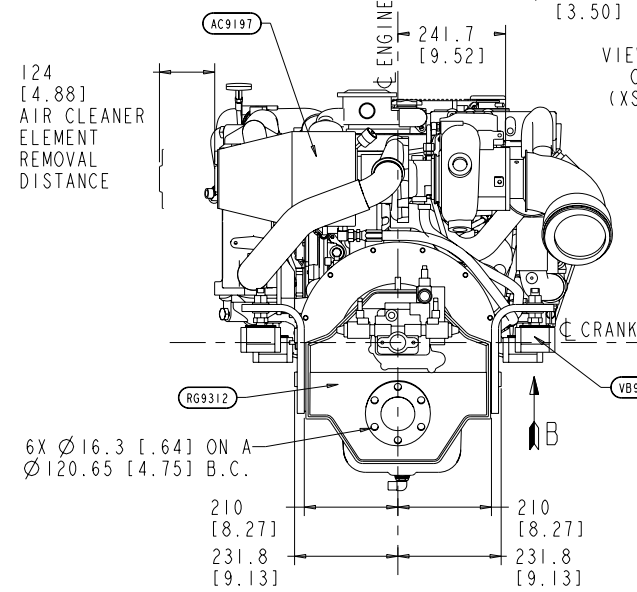
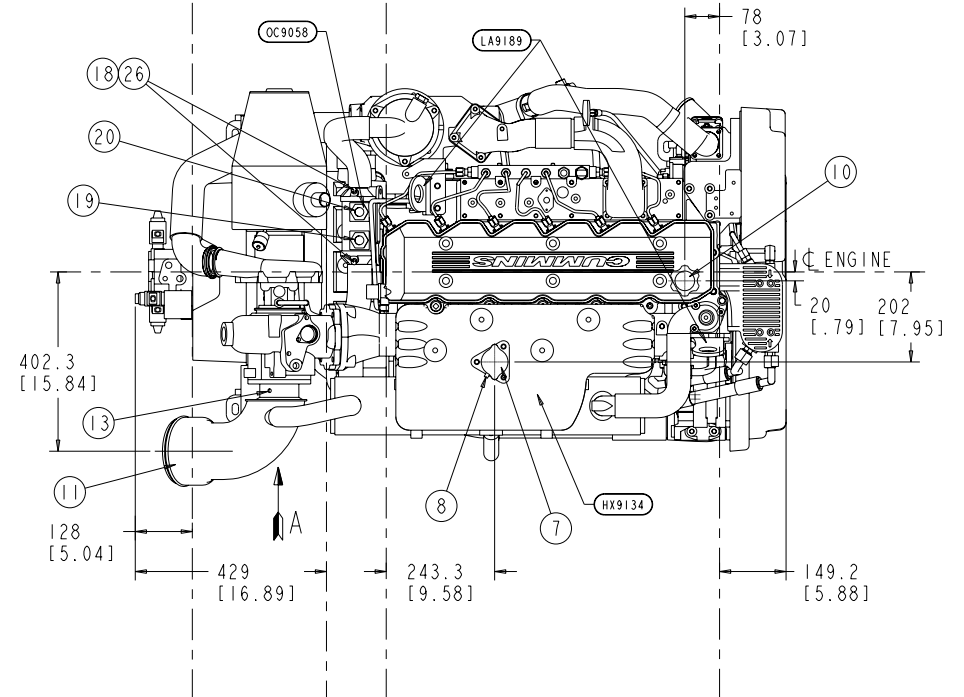


ITEM NUMBER	4953795
<b>OPTIONS LIST</b>	
AC9197	
BR9188	
DA9253	
EE9174	
EH9643	
EM9241	
FF90030	
FH9446	
FS9834	
FW9350	
HC9089	
HX9134	
LA9189	
LF9188	
LG9971	
OC9058	
OP9315	
PH9233	
RD9033	
RG9312	
SA9050	
SB9071	
ST9322	
SW9067	
TB91456	
VB9031	
VC9164	
WI9215	
WO9083	
XS9371	

REVISIONS		OWN	APP'D
02	OSB 5.9 480 W/ ZF 85A	JW	2-26-18



ENGINE SERVICE TEST PORTS/INSTALLATION CONNECTIONS					
1	AUXILIARY HEATER RETURN:	5/8 BARBED	10	ENGINE OIL FILL:	Ø29.5 [1.16]
2	AUXILIARY HEATER SUPPLY:	5/8 BARBED	11	EXHAUST OUTLET CONNECTION (ELBOW):	Ø152.4 [6.00] O.D.
3	BATTERY CONNECTION (STARTER) (+):	M10 X 1.5	12	EXHAUST OUTLET CONNECTION (TURBO):	4X M8 X 1.25 ▽ 17.8
4	BATTERY CONNECTION (STARTER) (-):	M10 X 1.5	13	EXHAUST TEMP. /BACK PRESSURE TEST PORT:	1/8-27 NPT
5	BATTERY CONNECTION (ECM) (+):	(4) PIN DEUTSCH	14	FUEL INLET CONNECTION:	3/4-16 (37°-#8)
6	BATTERY CONNECTION (ECM) (-):	(4) PIN DEUTSCH	15	FUEL INLET TEST PORT:	M10 X 1.0
7	COOLANT FILL:	Ø34.7 [1.36]	16	FUEL RETURN TO TANK CONNECTION:	3/8-18 NPT
8	COOLANT RECOVERY/OVERFLOW CONN.:	Ø9.6 [0.38]	17	FUEL RETURN TEST PORT:	1/4-18 NPT
9	ENGINE OIL DRAIN:	3/4-16 (37°-#8)	18	GEAR OIL COOLER DRAIN:	2X 1/8-27 NPT, (BOTTOM)
			19	GEAR OIL COOLER INLET:	1/2-14 NPT
			20	GEAR OIL COOLER OUTLET:	1/2-14 NPT
			21	OIL HEATER CONNECTION:	M22 X 1.5
			22	SEA WATER INLET:	Ø50.8 [2.00] O.D.
			23	SEA WATER INLET TEST PORT:	1/4-18 NPT
			24	SEA WATER OUTLET:	Ø38.1 [1.50] O.D.
			25	SEA WATER OUTLET TEST PORT:	1/4-18 NPT
			26	SHAFT LOG SEA WATER SUPPLY:	2X 1/8-27 NPT, (TOP)
			27	ZINC ANODE:	3X 1/2-14 NPT

DO NOT SCALE THIS DRAWING  
THIS DRAWING/DATA FILE (AND THE INFORMATION SHOWN THEREON) IS CONFIDENTIAL AND PROPRIETARY AND SHALL NOT BE USED, DISCLOSED TO OTHERS, OR REPRODUCED BY ANY MEANS FOR ANY PURPOSE IN HARD COPY FORM OR IN MACHINE READABLE FILES, WITHOUT WRITTEN CONSENT OF CUMMINS INC., MARKETING CAD SERVICES DEPARTMENT.

LAST SECTION LETTER USED:	REF. DRAWING STANDARDS: ANSI Y14.5M ISO 81101	ITEM NAME	CUMMINS INC.
UNLESS OTHERWISE SPECIFIED DIMENSIONS ARE IN: MILLIMETERS ( ) ARE IN: INCHES	ITEM NUMBER	QSB 5.9 480 W/ ZF 85A	IDENTIFIER
DWN UNCHECKED	SCALE: N/A	ITEM CONTROL: MCS	INSTALLATION DIAGRAM
APPD UNCHECKED	SCALE: N/A	ITEM NUMBER	4953795
APPD UNCHECKED	SCALE: N/A	ITEM CONTROL: MCS	SHEET 1 OF 1

NOTE: DUE TO OPTION DIFFERENCES, CG DATA IS APPROXIMATE.

PRODUCT GRAPHICS FILE NO ORIGINAL DRAWING EXISTS FOR THIS ITEM. THE ENGINEERING GRAPHICS DATA FOR THIS ITEM RESIDES IN THE PRODUCT GRAPHICS FILE AND IS CONTROLLED BY THE AGENCY DESIGNATED AS HAVING ITEM CONTROL.