

ITEM NUMBER	DESCRIPTION
4954000	OVERALL LENGTH
AC9312	AIR INLET RESTRICTION
BR9415	EXHAUST OUTLET CONNECTION (ELBOW)
EE9174	EXHAUST OUTLET CONNECTION (TURBO)
EM9388	EXHAUST TEMP. /BACK PRESSURE TEST PORT
FF90375	EXHAUST TEMP. /SW FLOW SENSOR
FH9481	FUEL INLET CONNECTION
FW9958	FUEL INLET TEST PORT
HC9202	FUEL INLET TEST PORT
HX9146	FUEL RETURN TO TANK CONNECTION
LA9233	FUEL RETURN TEST PORT
LF9255	FUEL RETURN TEST PORT
LG90136	GEAR OIL COOLER INLET
OP9464	GEAR OIL COOLER OUTLET
PH9386	SEA WATER INLET
RD9037	SEA WATER INLET TEST PORT
RE9125	SEA WATER INLET TEST PORT
RG9524	SEA WATER OUTLET
ST9383	SEA WATER OUTLET TEST PORT
SW9080	SEA WATER OUTLET TEST PORT
TB92005	SHAFT LOG SEA WATER SUPPLY
TR9122	ZINC ANODE
VB9050	ZINC ANODE
WI9449	ZINC ANODE
XG9664	ZINC ANODE

ZONE	REV	DESCRIPTION	OWN	APP'D
00	RELEASED			

INCHES	MILLIMETERS
0	0
1	25.4
2	50.8
3	76.2
4	101.6
5	127.0
6	152.4
7	177.8
8	203.2
9	228.6
10	254.0

ENGINE SERVICE TEST PORTS/INSTALLATION CONNECTIONS			
1	AUXILIARY HEATER RETURN:	5/8 BARBED	Ø127 [5.00] O.D.
2	AUXILIARY HEATER SUPPLY:	5/8 BARBED	4X M8 X 1.25 ▽ 17.8
3	BATTERY CONNECTION (STARTER) (+):	M10 X 1.5	1/4-18 NPT
4	BATTERY CONNECTION (STARTER) (-):	M10 X 1.5	N/A
5	BATTERY CONNECTION (ECM) (+):	4 PIN CONNECTOR	7/8-14 (45°-#10)
6	BATTERY CONNECTION (ECM) (-):	4 PIN CONNECTOR	M10 X 1.0
7	COOLANT FILL:	Ø31.2 [1.23]	3/4-16 (45°-#8)
8	COOLANT OVERFLOW TUBE:	7.9 I.D. [.31]	M10 X 1.0
9	ENGINE OIL DRAIN:	M18 X 1.5	N/A
10	ENGINE OIL FILL:	Ø32.1 [1.27]	N/A
11	EXHAUST OUTLET CONNECTION (ELBOW):	Ø127 [5.00] O.D.	
12	EXHAUST OUTLET CONNECTION (TURBO):	4X M8 X 1.25 ▽ 17.8	
13	EXHAUST TEMP. /BACK PRESSURE TEST PORT:	1/4-18 NPT	
14	EXHAUST TEMP. /SW FLOW SENSOR	N/A	
15	FUEL INLET CONNECTION:	7/8-14 (45°-#10)	
16	FUEL INLET TEST PORT:	M10 X 1.0	
17	FUEL RETURN TO TANK CONNECTION:	3/4-16 (45°-#8)	
18	FUEL RETURN TEST PORT:	M10 X 1.0	
19	GEAR OIL COOLER DRAIN:	N/A	
20	GEAR OIL COOLER INLET:	N/A	
21	GEAR OIL COOLER OUTLET:	N/A	
22	OIL HEATER CONNECTION:	M22 X 1.5	
23	SEA WATER INLET:	Ø50.8 [2.00] O.D.	
24	SEA WATER INLET TEST PORT:	1/4-18 NPT	
25	SEA WATER OUTLET:	Ø50.8 [2.00] O.D.	
26	SEA WATER OUTLET TEST PORT:	1/4-18 NPT	
27	SHAFT LOG SEA WATER SUPPLY:	N/A	
28	ZINC ANODE:	4X 1/2-14 NPT	

PRELIMINARY

NOTE: THIS DRAWING HAS NOT BEEN COMPLETED. ALL DIMENSIONS ARE IN MILLIMETERS UNLESS OTHERWISE SPECIFIED. DIMENSIONS ARE IN INCHES UNLESS OTHERWISE SPECIFIED. PRODUCT RELEASE CHECK PROCESSES.

*NOTE: CENTER OF GRAVITY IS ENGINE SPECIFIC. GEAR CENTER OF GRAVITY IS NOT INCLUDED.
DROP BOX INSTALLATION SHOWN WITH 18.75" DRIVE SHAFT

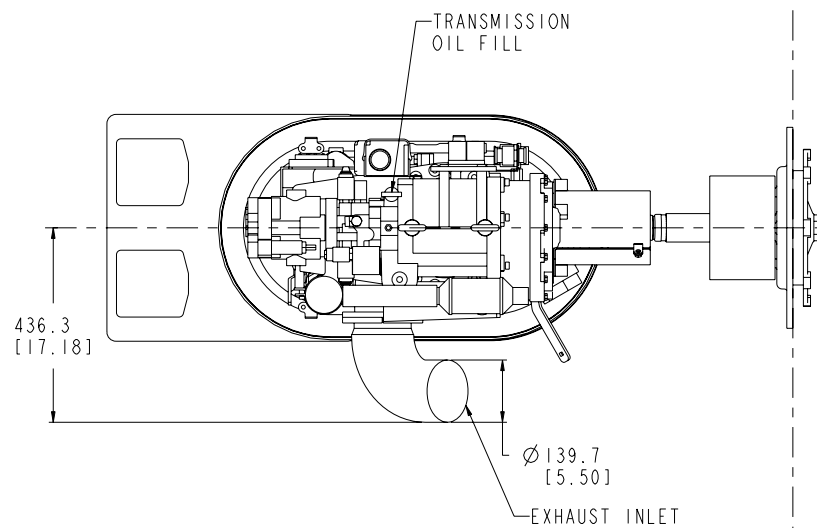
Product Graphics File
NO ORIGINAL DRAWING EXISTS FOR THIS ITEM. THE ENGINEERING GRAPHICS DATA FOR THIS ITEM RESIDES IN THE PRODUCT GRAPHICS FILE AND IS CONTROLLED BY THE AGENCY DESIGNATED AS HAVING ITEM CONTROL.

LAST SECTION LETTER USED:	REF. DRAWING STANDARDS:	ITEM NAME
	ANSI Y14.5M ISO 8101	QSB 6.7L W/ ZEUS DRIVE
		IDENTIFIER
		INSTALLATION DIAGRAM
		SIZE CODE (CONT. NO.) ITEM NUMBER
		J 4954000
		SCALE: N/A ITEM CONTROL: MCS SHEET 1 OF 2

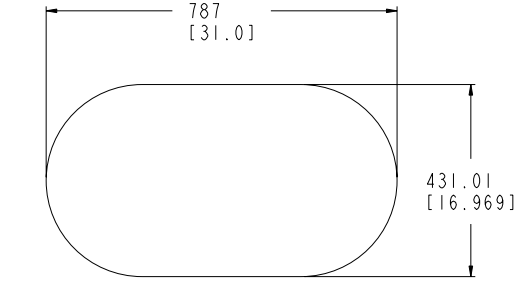
DO NOT SCALE THIS DRAWING
THIS DRAWING/DATA FILE (AND THE INFORMATION SHOWN THEREON) IS CONFIDENTIAL AND PROPRIETARY AND SHALL NOT BE USED, DISCLOSED TO OTHERS, OR REPRODUCED BY ANY MEANS FOR ANY PURPOSE IN HARD COPY FORM OR IN MACHINE READABLE FILES, WITHOUT WRITTEN CONSENT OF CUMMINS INC., MARKETING CAD SERVICES DEPARTMENT.

ITEM NUMBER
4954000

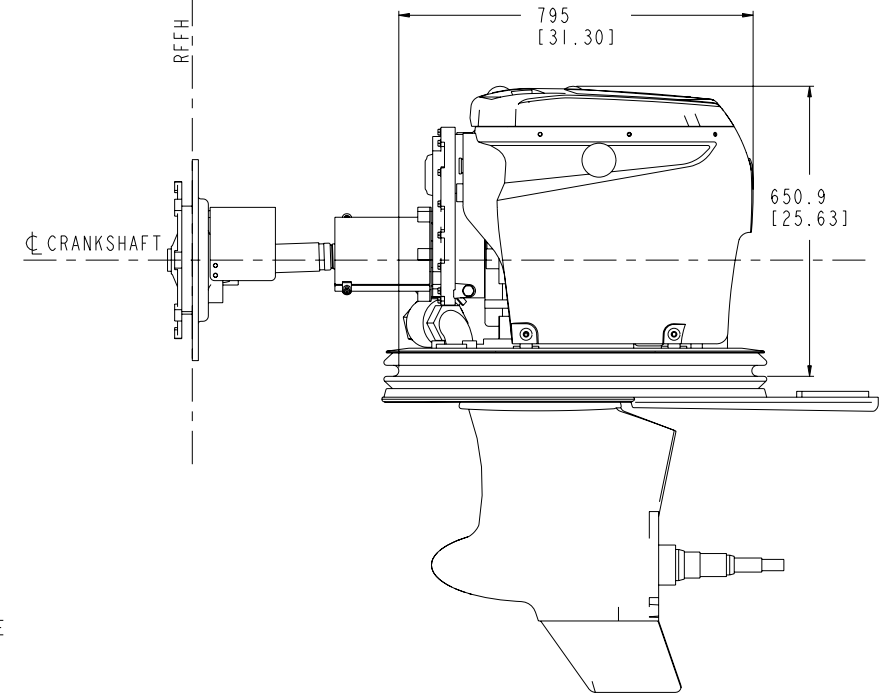
REVISIONS		DWN	APP'D
ZONE	REV	DATE	
00	RELEASED		



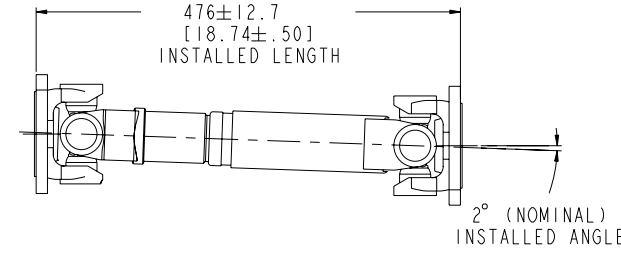
TOP VIEW
(SHROUD REMOVED)



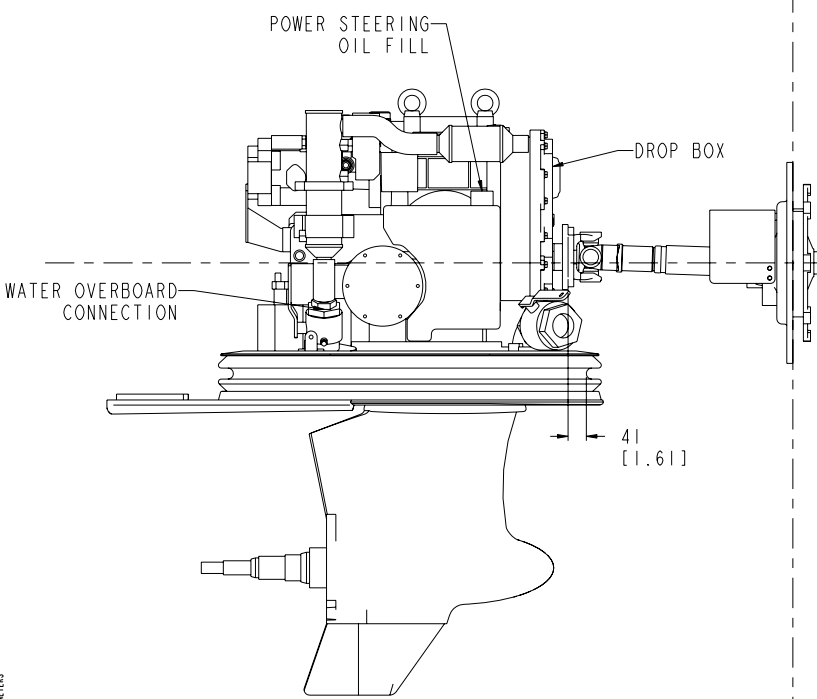
FINAL BULLNOSE DIMENSIONS



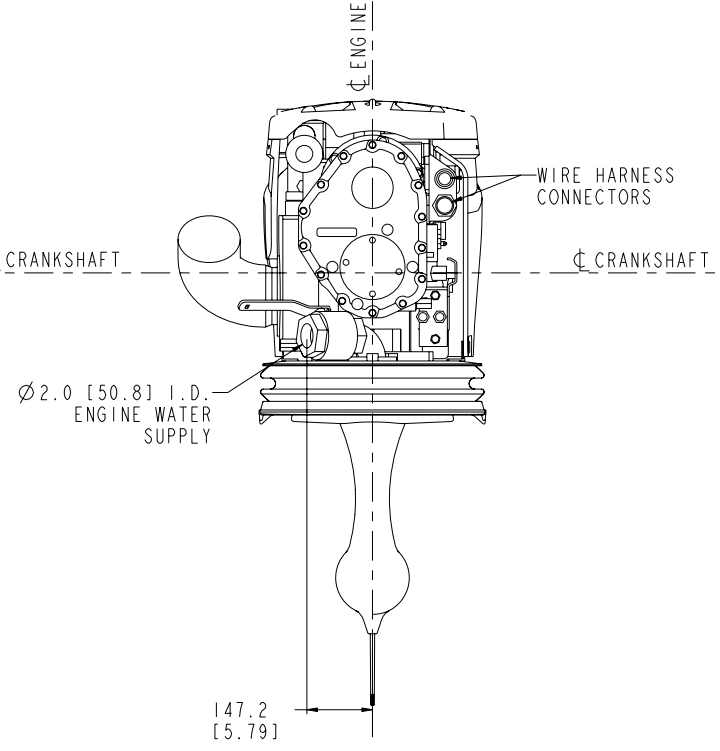
LEFT VIEW



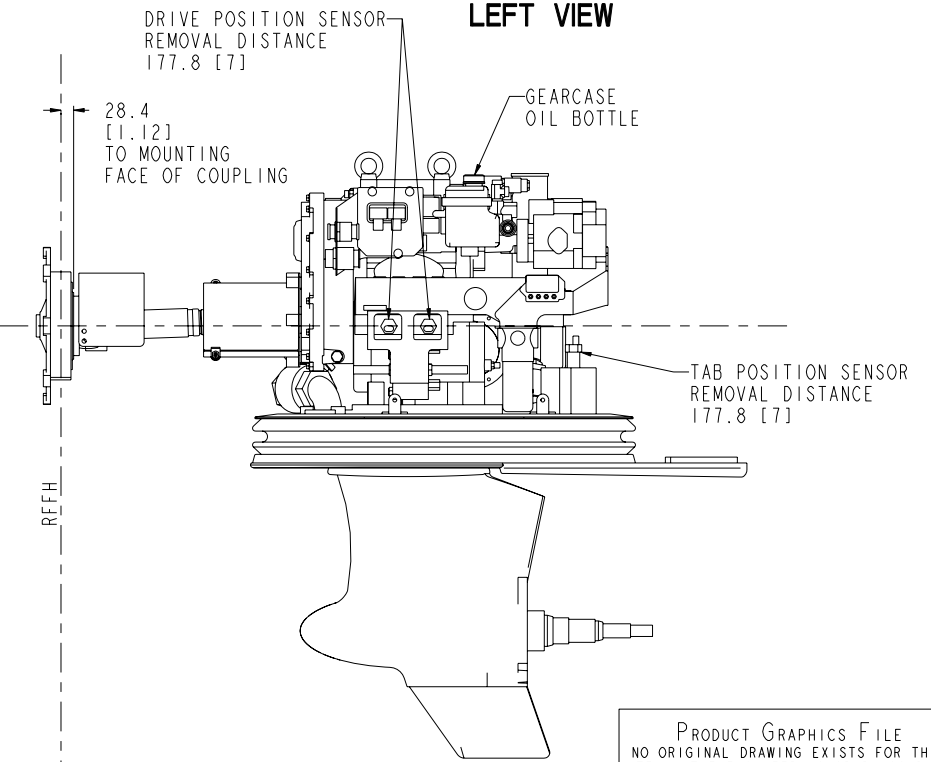
STANDARD DRIVE SHAFT



RIGHT VIEW
(SHROUD & SHIELDS REMOVED)

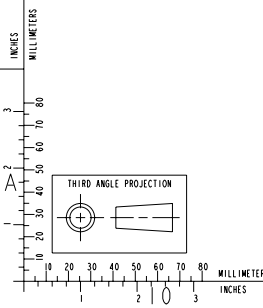


FRONT VIEW



LEFT VIEW
(SHROUD & SHIELDS REMOVED)

PRODUCT GRAPHICS FILE
NO ORIGINAL DRAWING EXISTS FOR THIS ITEM. THE ENGINEERING GRAPHICS DATA FOR THIS ITEM RESIDES IN THE PRODUCT GRAPHICS FILE AND IS CONTROLLED BY THE AGENCY DESIGNATED AS HAVING ITEM CONTROL.



PRELIMINARY

NOTE: THIS DRAWING HAS NOT COMPLETED ALL REQUIRED PROCESSES. RELEASE CHECK PROCESSES.

DO NOT SCALE THIS DRAWING

THIS DRAWING/DATA FILE (AND THE INFORMATION SHOWN THEREON) IS CONFIDENTIAL AND PROPRIETARY AND SHALL NOT BE USED, DISCLOSED TO OTHERS, OR REPRODUCED BY ANY MEANS FOR ANY PURPOSE IN HARD COPY FORM OR IN MACHINE READABLE FILES, WITHOUT WRITTEN CONSENT OF CUMMINS INC., MARKETING CAD SERVICES DEPARTMENT.

LAST SECTION LETTER USED:	REF. DRAWING STANDARDS: ANSI Y14.5M ISO 81101	CUMMINS INC.	
UNLESS OTHERWISE SPECIFIED DIMENSIONS ARE IN: MILLIMETERS () ARE IN: INCHES	ITEM NAME QSB 6.7L W/ ZEUS DRIVE	IDENTIFIER	
DWN: UNCHECKED	SCALE: N/A	ITEM NUMBER 4954000	ITEM CONTROL: MCS
APPD: UNCHECKED		SHEET 2 OF 2	