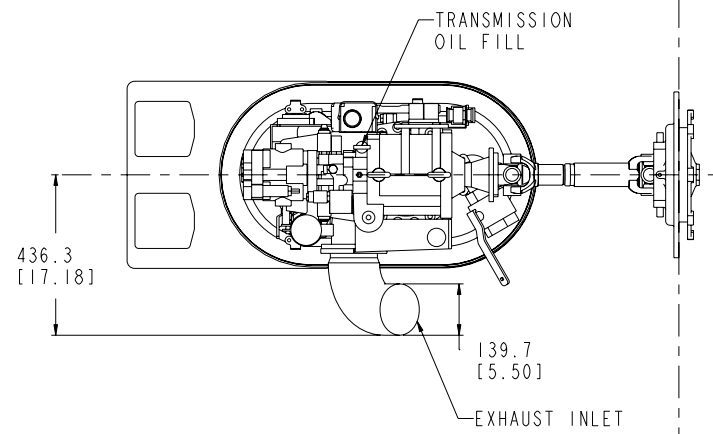
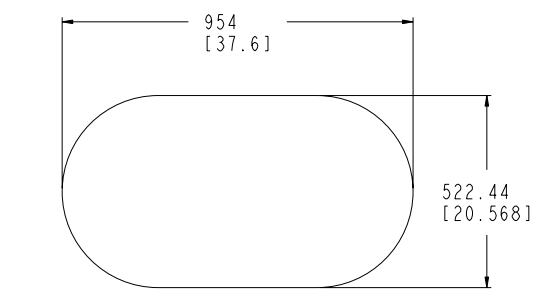


ITEM NUMBER  
4954001

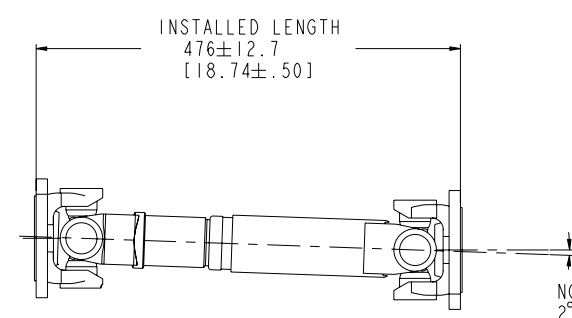
REVISIONS			
ZONE	REV	DESCRIPTION	APP'D
00	RELEASED		



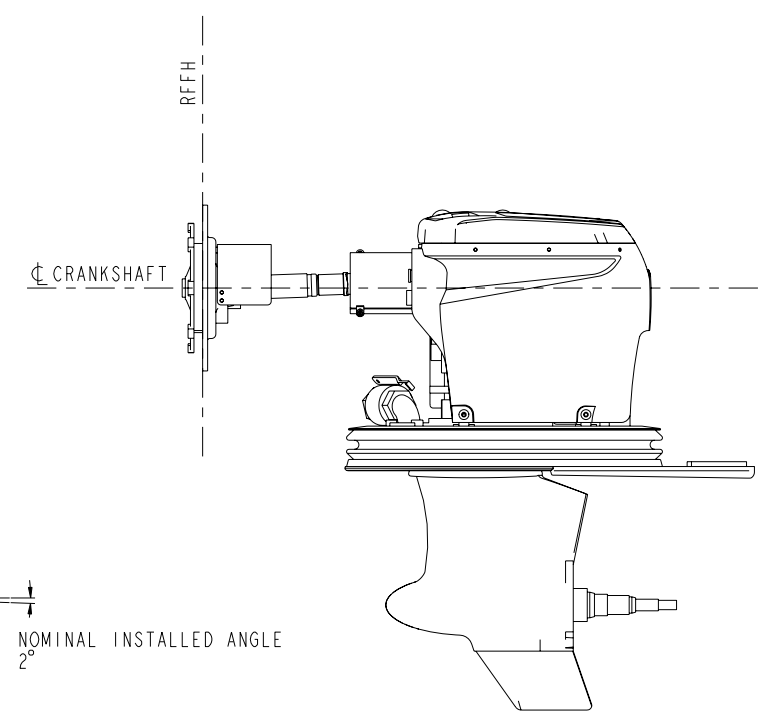
TOP VIEW  
(SHROUD REMOVED)



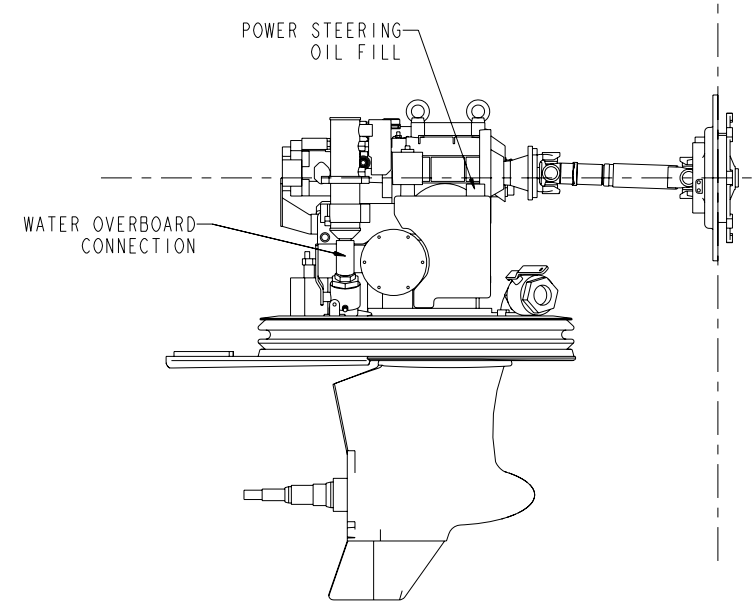
FINAL BULLNOSE DIMENSIONS



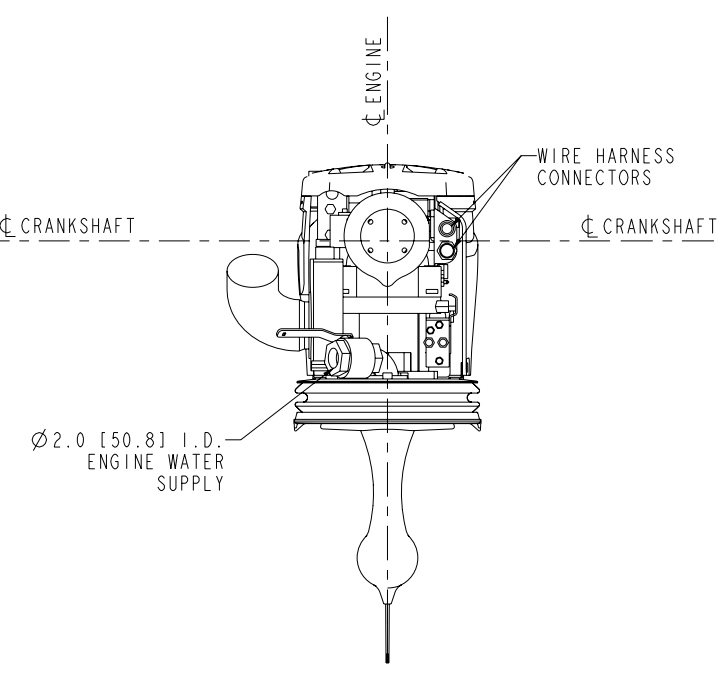
STANDARD DRIVE  
SHAFT



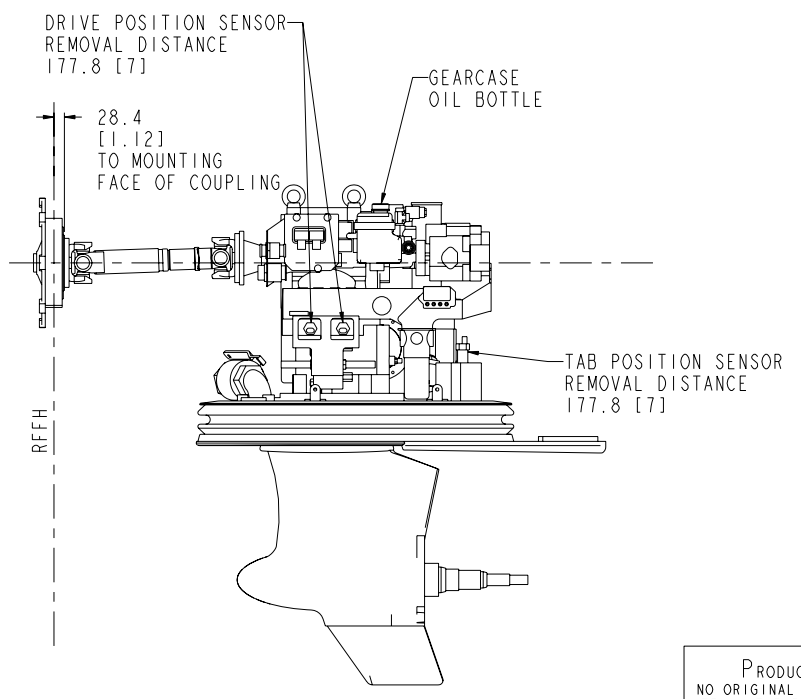
LEFT VIEW



RIGHT VIEW  
(SHROUD & SHIELDS REMOVED)



FRONT VIEW



LEFT VIEW  
(SHROUD & SHIELDS REMOVED)

PRODUCT GRAPHICS FILE  
NO ORIGINAL DRAWING EXISTS FOR THIS ITEM. THE ENGINEERING GRAPHICS DATA FOR THIS ITEM RESIDES IN THE PRODUCT GRAPHICS FILE AND IS CONTROLLED BY THE AGENCY DESIGNATED AS HAVING ITEM CONTROL.

**PRELIMINARY**  
NOTE: THIS DRAWING HAS NOT BEEN COMPLETED. ALL REQUIRED DIMENSIONS AND PROCESSES.

DO NOT SCALE THIS DRAWING  
THIS DRAWING/DATA FILE (AND THE INFORMATION SHOWN THEREON) IS CONFIDENTIAL AND PROPRIETARY AND SHALL NOT BE USED, DISCLOSED TO OTHERS, OR REPRODUCED BY ANY MEANS FOR ANY PURPOSE IN HARD COPY FORM OR IN MACHINE READABLE FILES, WITHOUT WRITTEN CONSENT OF CUMMINS INC., MARKETING CAD SERVICES DEPARTMENT.

LAST SECTION LETTER USED:	REF. DRAWING STANDARDS: ANSI Y14.5M ISO 81101	<b>CUMMINS INC.</b>	
UNLESS OTHERWISE SPECIFIED DIMENSIONS ARE IN: MILLIMETERS ( ) ARE IN: INCHES	ITEM NAME: QSB 6.7L W/ ZEUS DRIVE	IDENTIFIER: INSTALLATION DIAGRAM	
DWN: UNCHECKED	APPD: UNCHECKED	SIZE CODE (IDENT. NO.): J	ITEM NUMBER: 4954001
APPD:	SCALE: N/A	ITEM CONTROL: MCS	SHEET 2 OF 2

