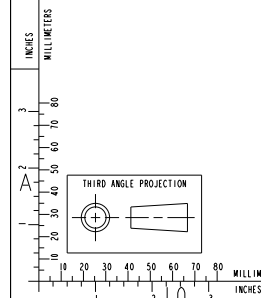
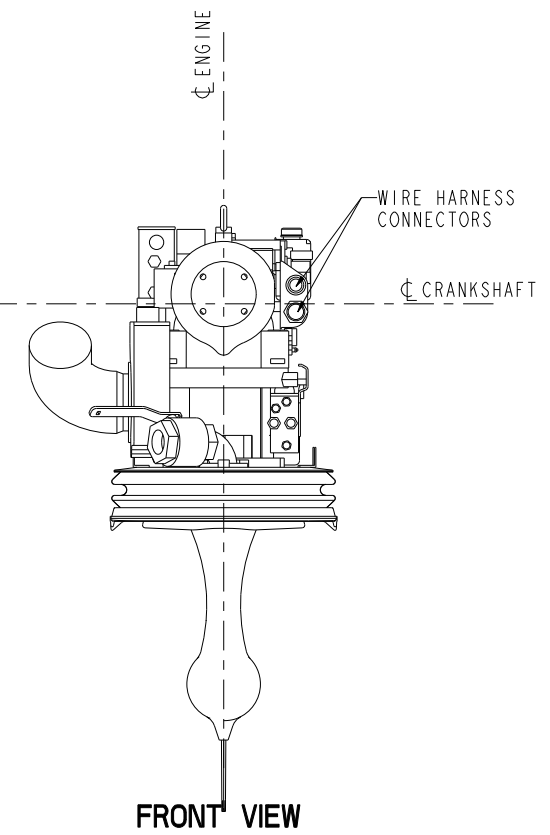
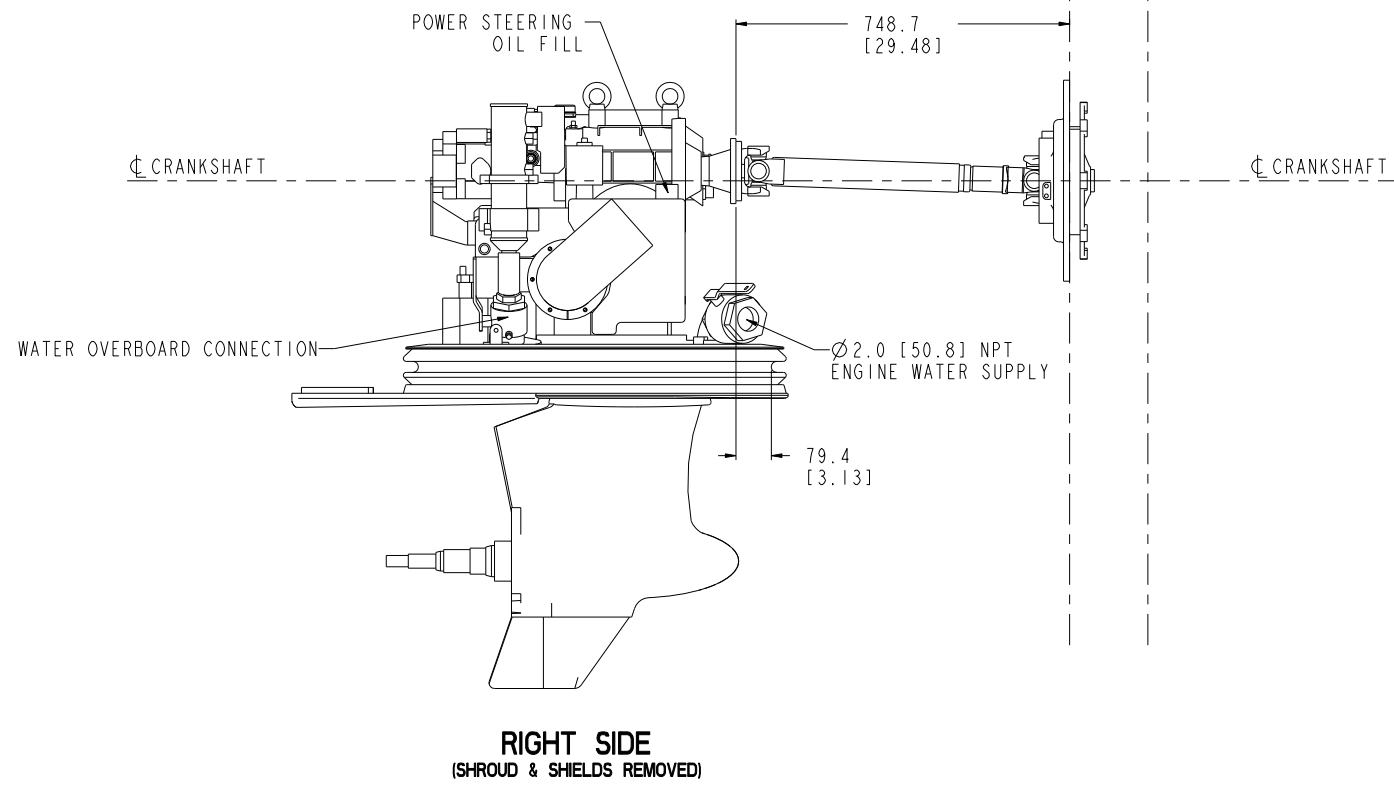
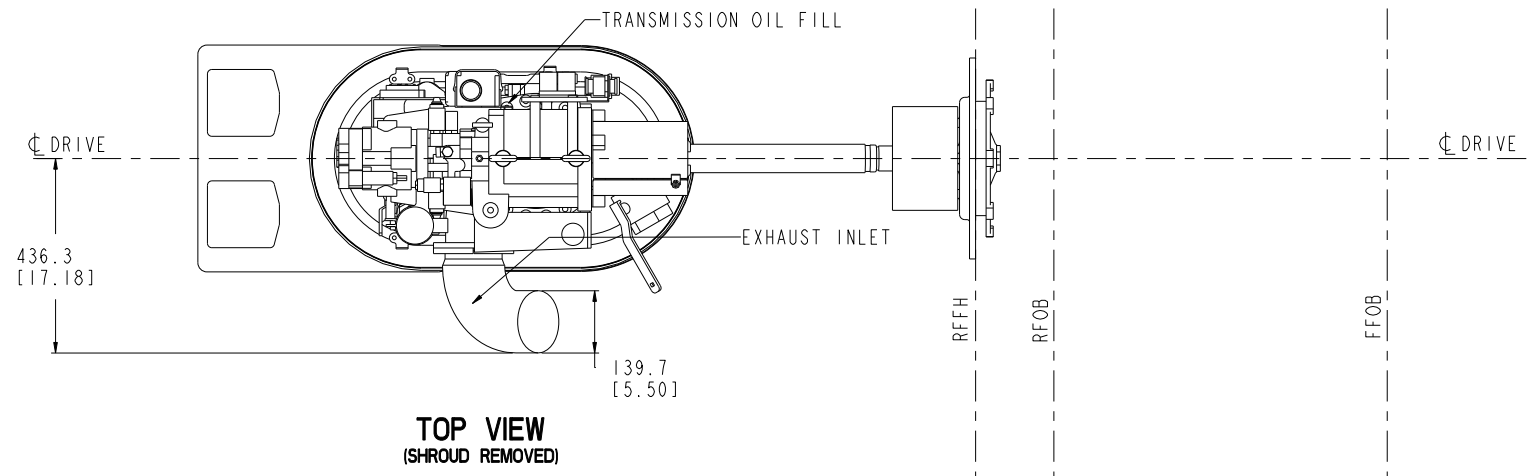


ITEM NUMBER
4954002

REVISIONS			
ZONE	REV	DESCRIPTION	APP'D
00	RELEASED		



PRODUCT GRAPHICS FILE
NO ORIGINAL DRAWING EXISTS FOR THIS ITEM. THE ENGINEERING GRAPHICS DATA FOR THIS ITEM RESIDES IN THE PRODUCT GRAPHICS FILE AND IS CONTROLLED BY THE AGENCY DESIGNATED AS HAVING ITEM CONTROL.

PRELIMINARY

NOTE: THIS DRAWING HAS NOT COMPLETED ALL REQUIRED PRODUCT RELEASE CHECK PROCESSES.

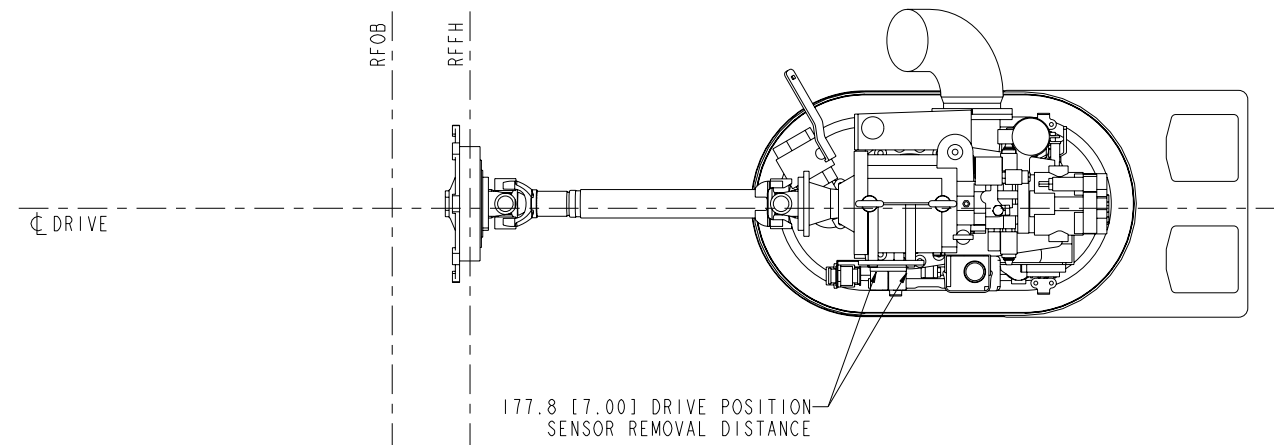
DO NOT SCALE THIS DRAWING

THIS DRAWING/DATA FILE (AND THE INFORMATION SHOWN THEREON) IS CONFIDENTIAL AND PROPRIETARY AND SHALL NOT BE USED, DISCLOSED TO OTHERS, OR REPRODUCED BY ANY MEANS FOR ANY PURPOSE IN HARD COPY FORM OR IN MACHINE READABLE FILES, WITHOUT WRITTEN CONSENT OF CUMMINS INC., MARKETING CAD SERVICES DEPARTMENT.

LAST SECTION LETTER USED:	REF. DRAWING STANDARDS: ANSI Y14.5M ISO 81101	CUMMINS INC.	
UNLESS OTHERWISE SPECIFIED DIMENSIONS ARE IN: MILLIMETERS () ARE IN: INCHES	ITEM NAME: QSB 6.7L W/ ZEUS DRIVE	IDENTIFIER: INSTALLATION DIAGRAM	
DWN: UNCHECKED	APPD: UNCHECKED	SIZE CODE (DENT. NO.): J	ITEM NUMBER: 4954002
APPD:	SCALE: N/A	ITEM CONTROL: MCS	SHEET 3 OF 4

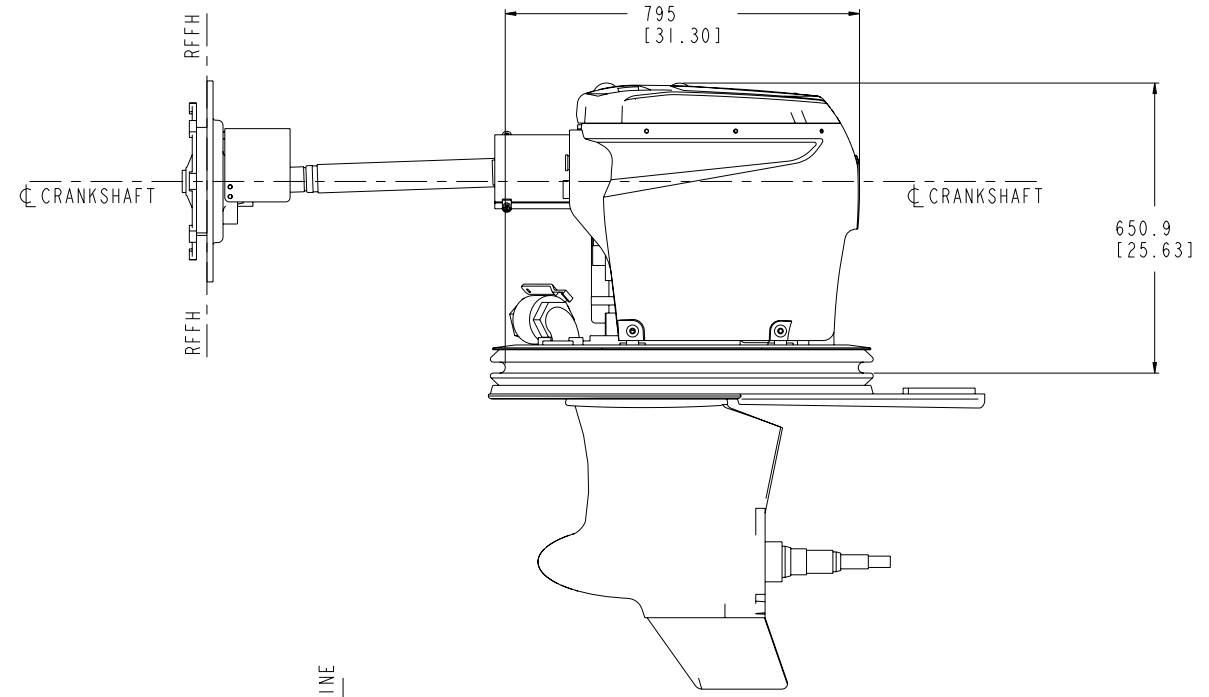
ITEM NUMBER
4954002

REVISIONS			
ZONE	REV	DESCRIPTION	APP'D
00	RELEASED		

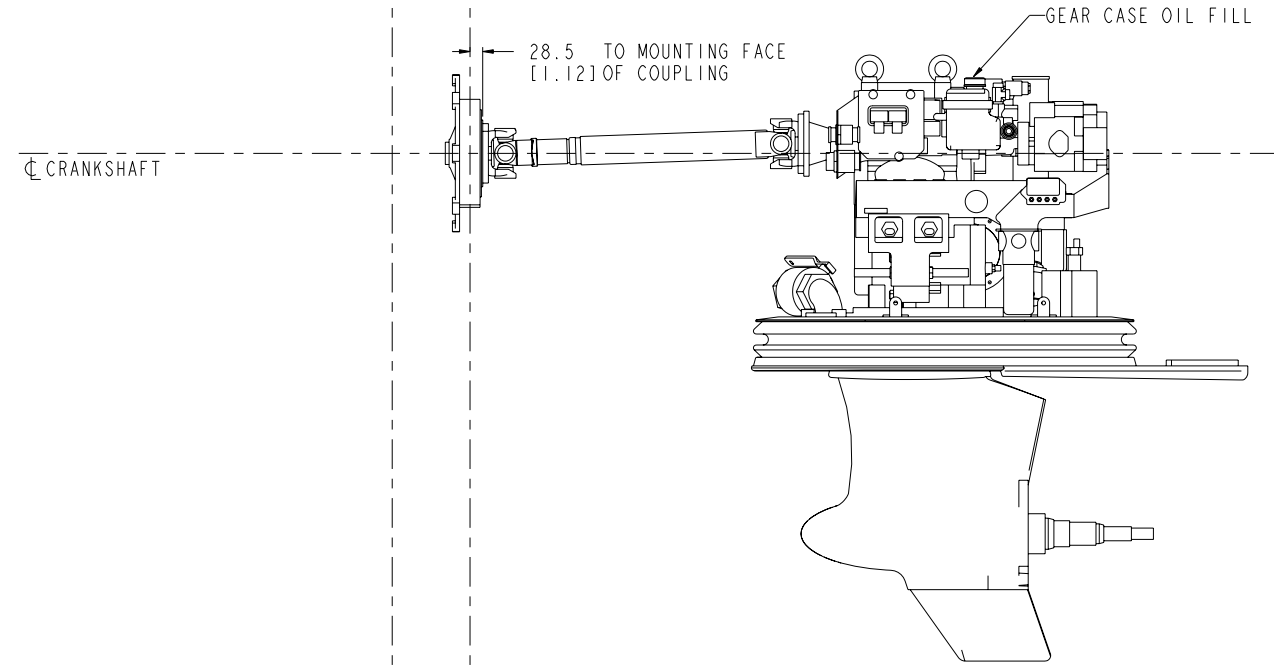


177.8 [7.00] DRIVE POSITION
SENSOR REMOVAL DISTANCE

TOP VIEW
(SHROUD REMOVED)



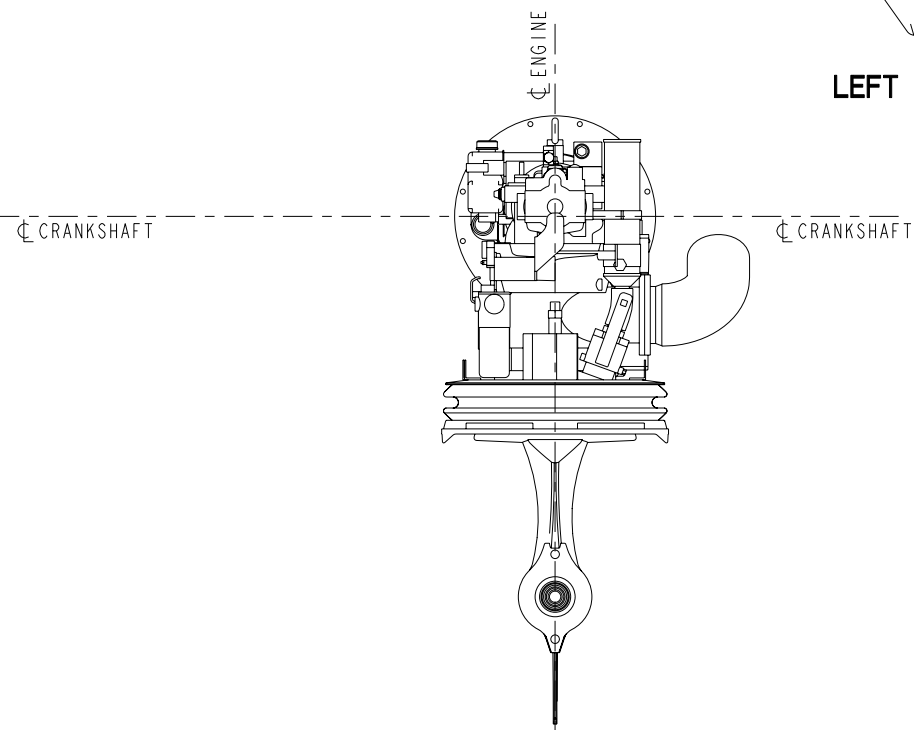
LEFT SIDE



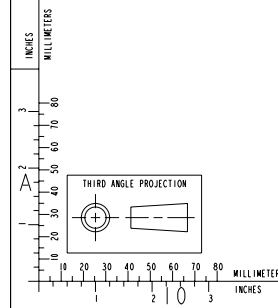
28.5 TO MOUNTING FACE
[1.12] OF COUPLING

GEAR CASE OIL FILL

LEFT SIDE
(SHROUD & SHIELDS REMOVED)



REAR VIEW
(SHROUD & SHIELDS REMOVED)



PRELIMINARY

DO NOT SCALE THIS DRAWING
THIS DRAWING/DATA FILE (AND THE INFORMATION SHOWN THEREON) IS CONFIDENTIAL AND PROPRIETARY AND SHALL NOT BE USED, DISCLOSED TO OTHERS, OR REPRODUCED BY ANY MEANS FOR ANY PURPOSE IN HARD COPY FORM OR IN MACHINE READABLE FILES, WITHOUT WRITTEN CONSENT OF CUMMINS INC., MARKETING CAD SERVICES DEPARTMENT.

PRODUCT GRAPHICS FILE
NO ORIGINAL DRAWING EXISTS FOR THIS ITEM. THE ENGINEERING GRAPHICS DATA FOR THIS ITEM RESIDES IN THE PRODUCT GRAPHICS FILE AND IS CONTROLLED BY THE AGENCY DESIGNATED AS HAVING ITEM CONTROL.

LAST SECTION LETTER USED:	REF. DRAWING STANDARDS: ANSI Y14.5M ISO 81101	CUMMINS INC.	
UNLESS OTHERWISE SPECIFIED DIMENSIONS ARE IN: MILLIMETERS () ARE IN: INCHES	ITEM NAME: QSB 6.7L W/ ZEUS DRIVE	IDENTIFIER: INSTALLATION DIAGRAM	
DWN: UNCHECKED	APPD: UNCHECKED	SIZE CODE (IDENT. NO.): J	ITEM NUMBER: 4954002
SCALE: N/A	ITEM CONTROL: MCS	SHEET 4 OF 4	