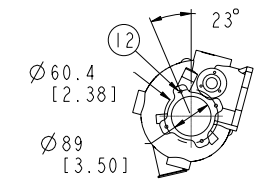
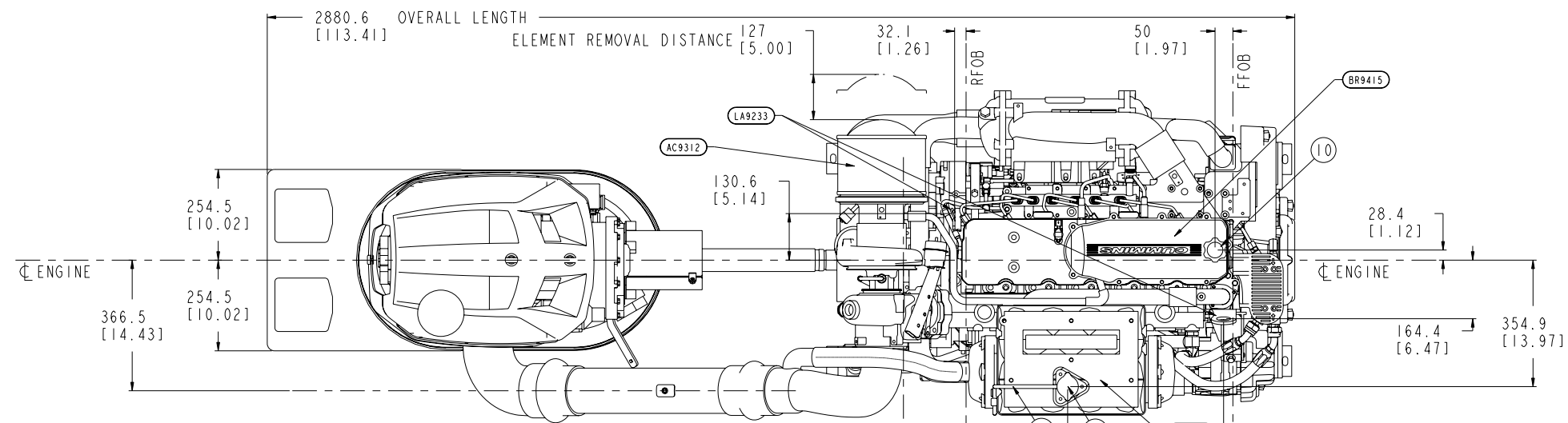
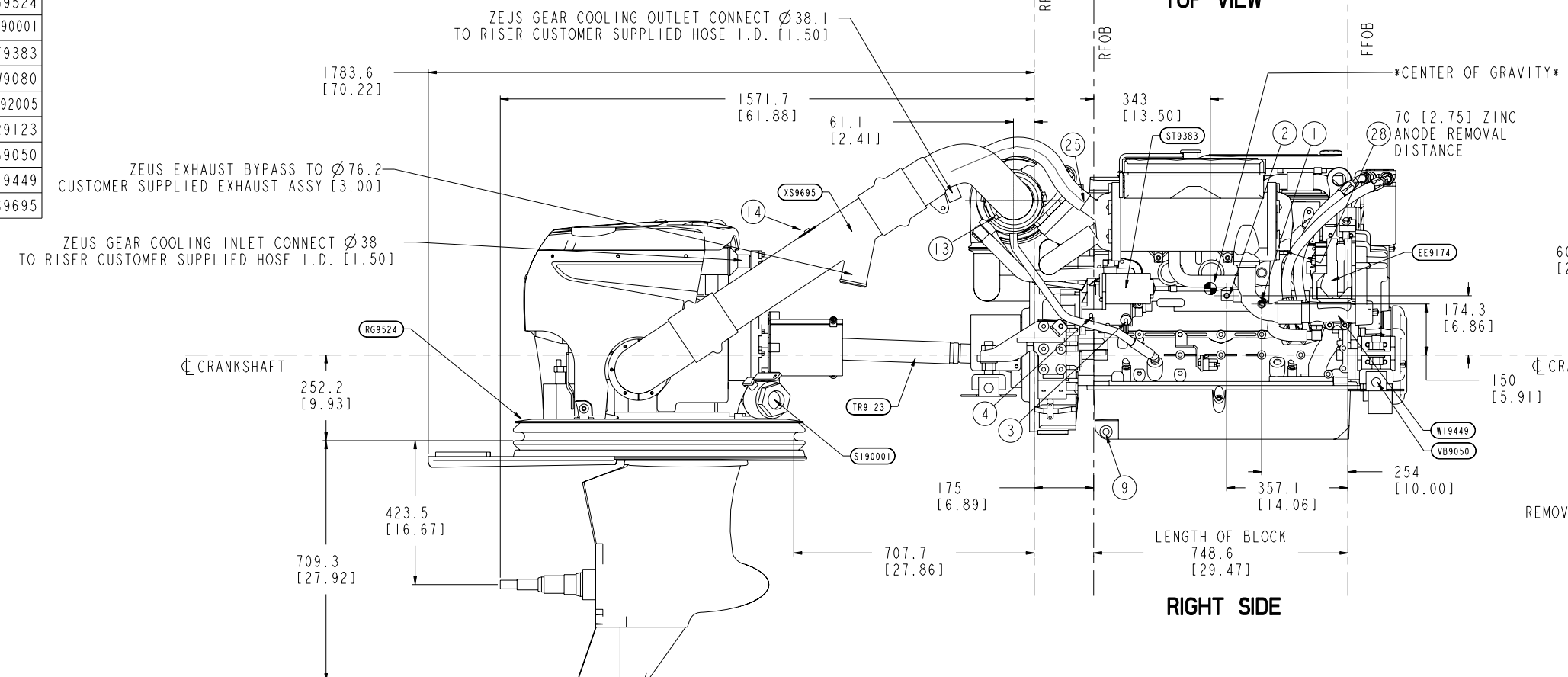


ITEM NUMBER	4954003
OPTIONS LIST	AC9312 BR9415 EE9174 EM9388 FF90375 FH9971 FW9958 HC9202 HX9146 LA9233 LF9255 LG90136 OP9464 PH9386 RD9037 RE9125 RG9524 S190001 ST9383 SW9080 TB92005 TR9123 VB9050 W19449 XS9695

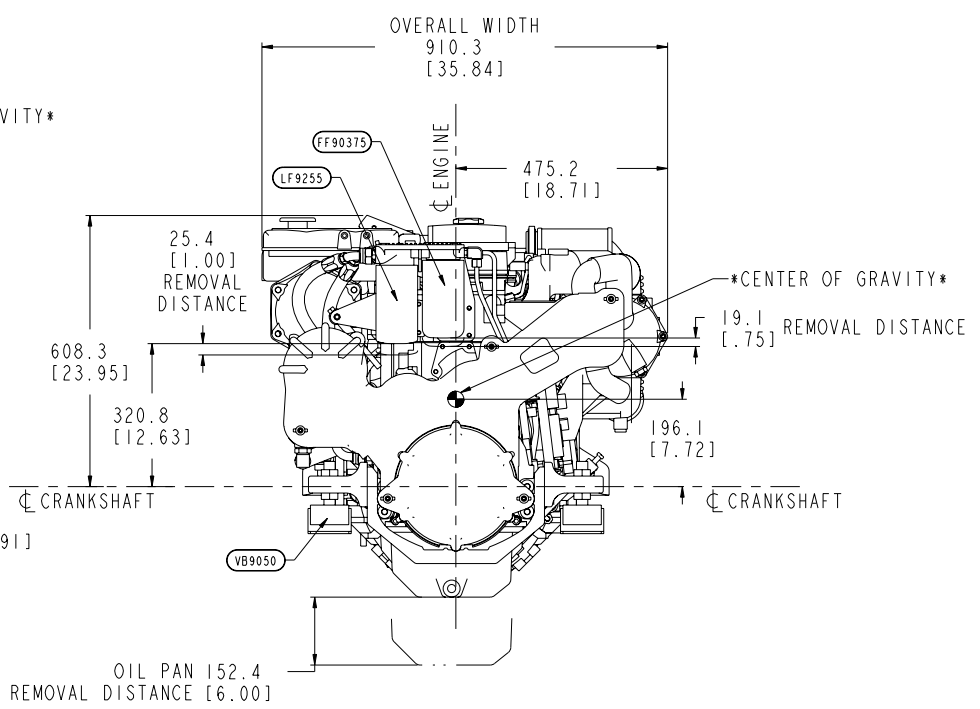
REVISIONS			
ZONE	REV	DESCRIPTION	APP'D
00	RELEASED		



TOP VIEW



RIGHT SIDE

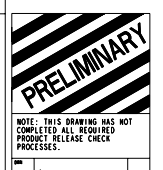


FRONT VIEW

*NOTE: CENTER OF GRAVITY IS ENGINE SPECIFIC. GEAR CENTER OF GRAVITY IS NOT INCLUDED.

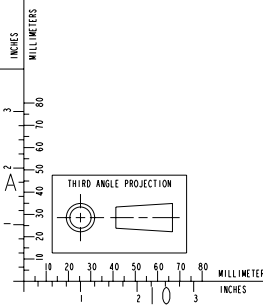
DROP BOX INSTALLATION SHOWN WITH 28" DRIVE SHAFT

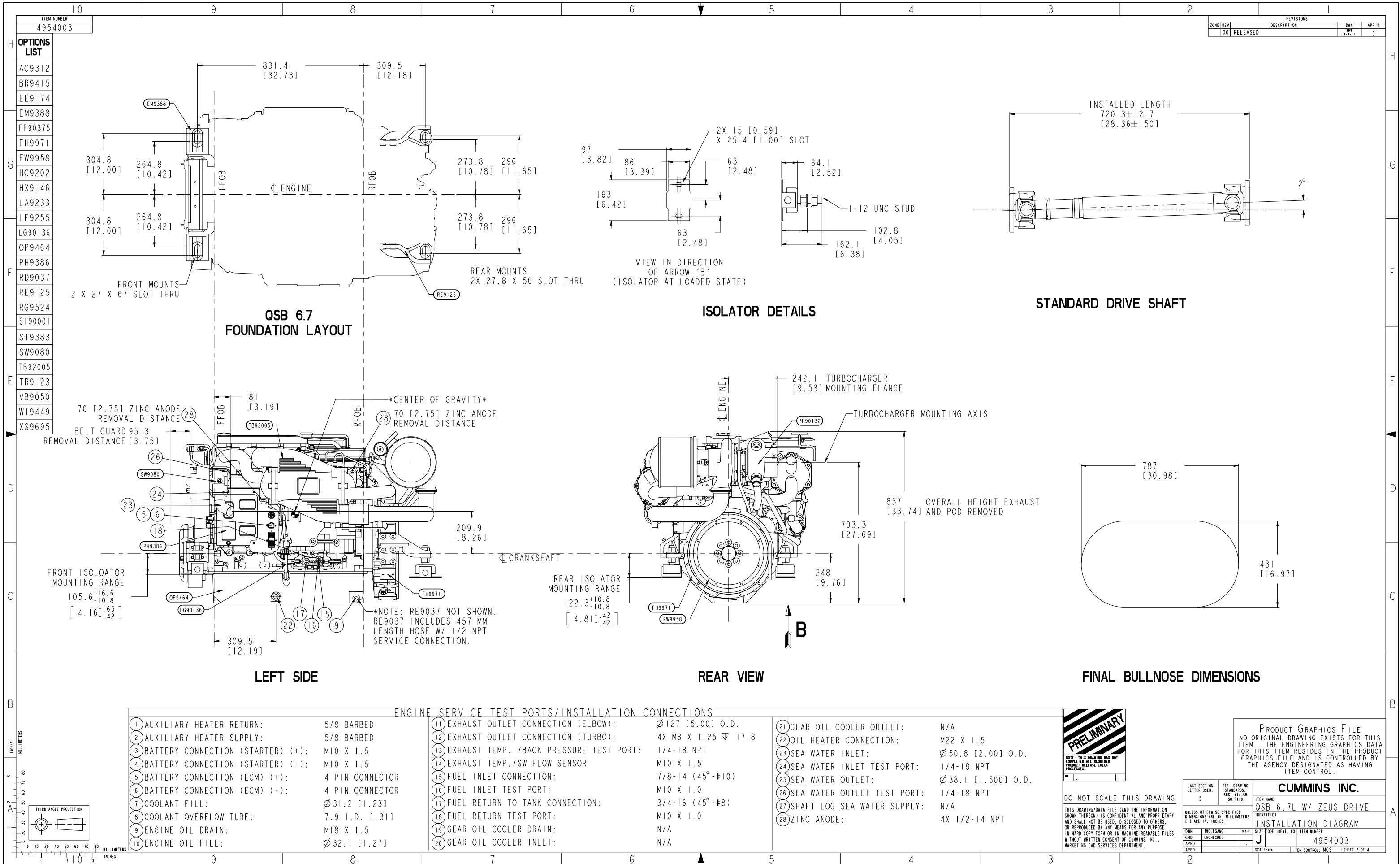
ENGINE SERVICE TEST PORTS/INSTALLATION CONNECTIONS			
1	AUXILIARY HEATER RETURN:	5/8 BARBED	
2	AUXILIARY HEATER SUPPLY:	5/8 BARBED	
3	BATTERY CONNECTION (STARTER) (+):	M10 X 1.5	
4	BATTERY CONNECTION (STARTER) (-):	M10 X 1.5	
5	BATTERY CONNECTION (ECM) (+):	4 PIN CONNECTOR	
6	BATTERY CONNECTION (ECM) (-):	4 PIN CONNECTOR	
7	COOLANT FILL:	Ø 31.2 [1.23]	
8	COOLANT OVERFLOW TUBE:	7.9 I.D. [0.31]	
9	ENGINE OIL DRAIN:	M18 X 1.5	
10	ENGINE OIL FILL:	Ø 32.1 [1.27]	
11	EXHAUST OUTLET CONNECTION (ELBOW):	Ø 127 [5.00] O.D.	
12	EXHAUST OUTLET CONNECTION (TURBO):	4X M8 X 1.25 ∇ 17.8	
13	EXHAUST TEMP. /BACK PRESSURE TEST PORT:	1/4-18 NPT	
14	EXHAUST TEMP. /SW FLOW SENSOR	M10 X 1.5	
15	FUEL INLET CONNECTION:	7/8-14 (45°-#10)	
16	FUEL INLET TEST PORT:	M10 X 1.0	
17	FUEL RETURN TO TANK CONNECTION:	3/4-16 (45°-#8)	
18	FUEL RETURN TEST PORT:	M10 X 1.0	
19	GEAR OIL COOLER DRAIN:	N/A	
20	GEAR OIL COOLER INLET:	N/A	
21	GEAR OIL COOLER OUTLET:	N/A	
22	OIL HEATER CONNECTION:	M22 X 1.5	
23	SEA WATER INLET:	Ø 50.8 [2.00] O.D.	
24	SEA WATER INLET TEST PORT:	1/4-18 NPT	
25	SEA WATER OUTLET:	Ø 38.1 [1.500] O.D.	
26	SEA WATER OUTLET TEST PORT:	1/4-18 NPT	
27	SHAFT LOG SEA WATER SUPPLY:	N/A	
28	ZINC ANODE:	4X 1/2-14 NPT	



DO NOT SCALE THIS DRAWING
 THIS DRAWING/DATA FILE (AND THE INFORMATION SHOWN THEREON) IS CONFIDENTIAL AND PROPRIETARY AND SHALL NOT BE USED, DISCLOSED TO OTHERS, OR REPRODUCED BY ANY MEANS FOR ANY PURPOSE WITHOUT WRITTEN CONSENT OF CUMMINS INC., MARKETING CAD SERVICES DEPARTMENT.

LAST SECTION LETTER USED:	REF. DRAWING STANDARDS: ANSI Y14.5M ISO 81101	CUMMINS INC.	
UNLESS OTHERWISE SPECIFIED DIMENSIONS ARE IN: MILLIMETERS () ARE IN: INCHES	ITEM NAME: QSB 6.7L W/ ZEUS DRIVE	IDENTIFIER: INSTALLATION DIAGRAM	
DWN: UNCHECKED	APPD: UNCHECKED	SCALE: N/A	ITEM CONTROL: MCS
APPD: UNCHECKED	ITEM NUMBER: 4954003	SHEET 1 OF 4	





ITEM NUMBER	4954003
OPTIONS LIST	
AC9312	
BR9415	
EE9174	
EM9388	
FF90375	
FH9971	
FW9958	
HC9202	
HX9146	
LA9233	
LF9255	
LG90136	
OP9464	
PH9386	
RD9037	
RE9125	
RG9524	
SI90001	
ST9383	
SW9080	
TB92005	
TR9123	
VB9050	
WI9449	
XS9695	

REVISIONS			
ZONE	REV	DESCRIPTION	APP'D
00	RELEASED		

QSB 6.7 FOUNDATION LAYOUT

ISOLATOR DETAILS

STANDARD DRIVE SHAFT

LEFT SIDE

REAR VIEW

FINAL BULLNOSE DIMENSIONS

ENGINE SERVICE TEST PORTS/INSTALLATION CONNECTIONS

1) AUXILIARY HEATER RETURN: 5/8 BARBED	11) EXHAUST OUTLET CONNECTION (ELBOW): Ø127 [5.00] O.D.	21) GEAR OIL COOLER OUTLET: N/A
2) AUXILIARY HEATER SUPPLY: 5/8 BARBED	12) EXHAUST OUTLET CONNECTION (TURBO): 4X M8 X 1.25 ∇ 17.8	22) OIL HEATER CONNECTION: M22 X 1.5
3) BATTERY CONNECTION (STARTER) (+): M10 X 1.5	13) EXHAUST TEMP. /BACK PRESSURE TEST PORT: 1/4-18 NPT	23) SEA WATER INLET: Ø50.8 [2.00] O.D.
4) BATTERY CONNECTION (STARTER) (-): M10 X 1.5	14) EXHAUST TEMP. /SW FLOW SENSOR: M10 X 1.5	24) SEA WATER INLET TEST PORT: 1/4-18 NPT
5) BATTERY CONNECTION (ECM) (+): 4 PIN CONNECTOR	15) FUEL INLET CONNECTION: 7/8-14 (45°-#10)	25) SEA WATER OUTLET: Ø38.1 [1.500] O.D.
6) BATTERY CONNECTION (ECM) (-): 4 PIN CONNECTOR	16) FUEL INLET TEST PORT: M10 X 1.0	26) SEA WATER OUTLET TEST PORT: 1/4-18 NPT
7) COOLANT FILL: Ø31.2 [1.23]	17) FUEL RETURN TO TANK CONNECTION: 3/4-16 (45°-#8)	27) SHAFT LOG SEA WATER SUPPLY: N/A
8) COOLANT OVERFLOW TUBE: 7.9 I.D. [.31]	18) FUEL RETURN TEST PORT: M10 X 1.0	28) ZINC ANODE: 4X 1/2-14 NPT
9) ENGINE OIL DRAIN: M18 X 1.5	19) GEAR OIL COOLER DRAIN: N/A	
10) ENGINE OIL FILL: Ø32.1 [1.27]	20) GEAR OIL COOLER INLET: N/A	

PRELIMINARY

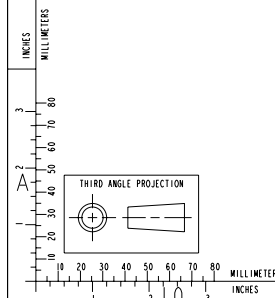
NOTE: THIS DRAWING HAS NOT COMPLETED ALL REQUIRED PRODUCT RELEASE CHECK PROCESSES.

PRODUCT GRAPHICS FILE
NO ORIGINAL DRAWING EXISTS FOR THIS ITEM. THE ENGINEERING GRAPHICS DATA FOR THIS ITEM RESIDES IN THE PRODUCT GRAPHICS FILE AND IS CONTROLLED BY THE AGENCY DESIGNATED AS HAVING ITEM CONTROL.

DO NOT SCALE THIS DRAWING

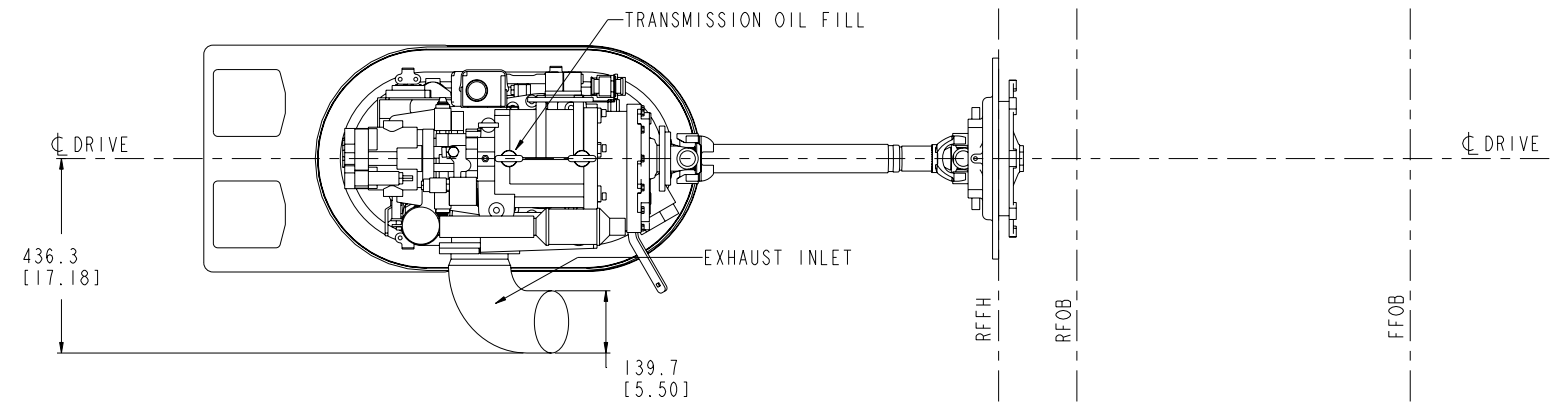
THIS DRAWING/DATA FILE (AND THE INFORMATION SHOWN THEREON) IS CONFIDENTIAL AND PROPRIETARY AND SHALL NOT BE USED, DISCLOSED TO OTHERS, OR REPRODUCED BY ANY MEANS FOR ANY PURPOSE IN HARD COPY FORM OR IN MACHINE READABLE FILES, WITHOUT WRITTEN CONSENT OF CUMMINS INC., MARKETING CAD SERVICES DEPARTMENT.

LAST SECTION LETTER USED:	REF. DRAWING STANDARDS: ANSI Y14.5M ISO 81101	ITEM NAME	CUMMINS INC.
UNLESS OTHERWISE SPECIFIED DIMENSIONS ARE IN: MILLIMETERS () ARE IN: INCHES	ITEM IDENTIFIER	QSB 6.7L W/ ZEUS DRIVE	
DWN: UNCHECKED	APPD: UNCHECKED	SIZE CODE (IDENT. NO.)	J
APPD: UNCHECKED		ITEM NUMBER	4954003
		SCALE: N/A	ITEM CONTROL: MCS SHEET 2 OF 4

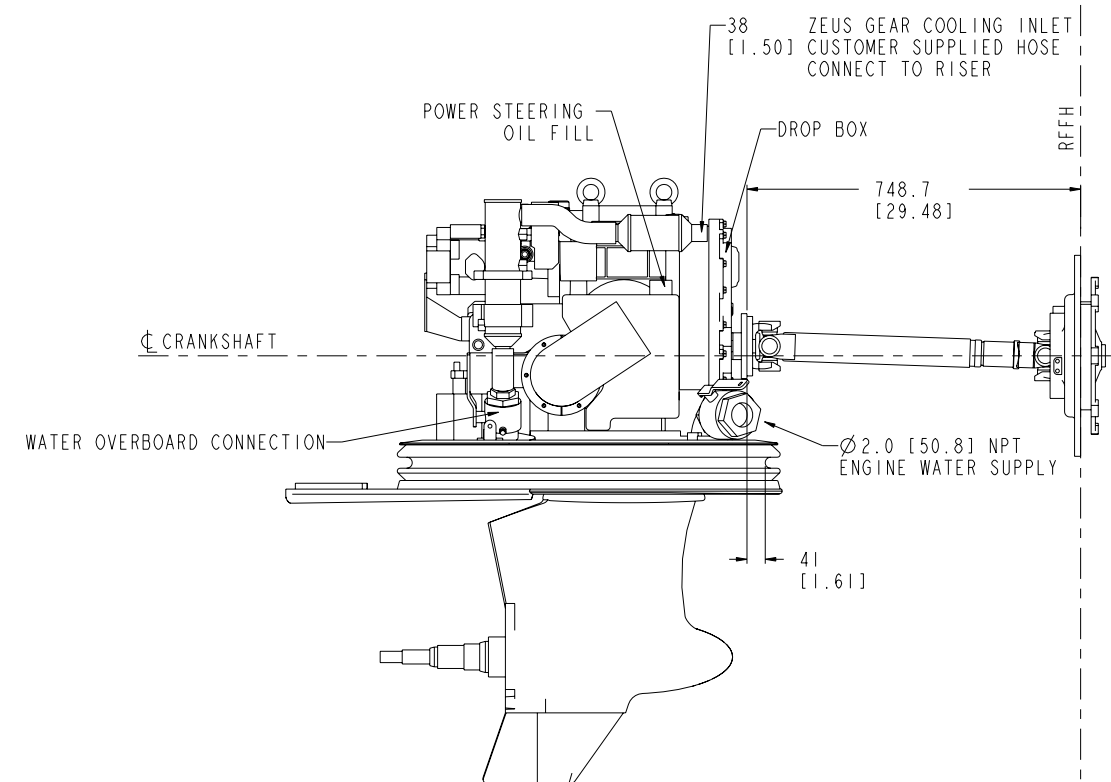


ITEM NUMBER
4954003

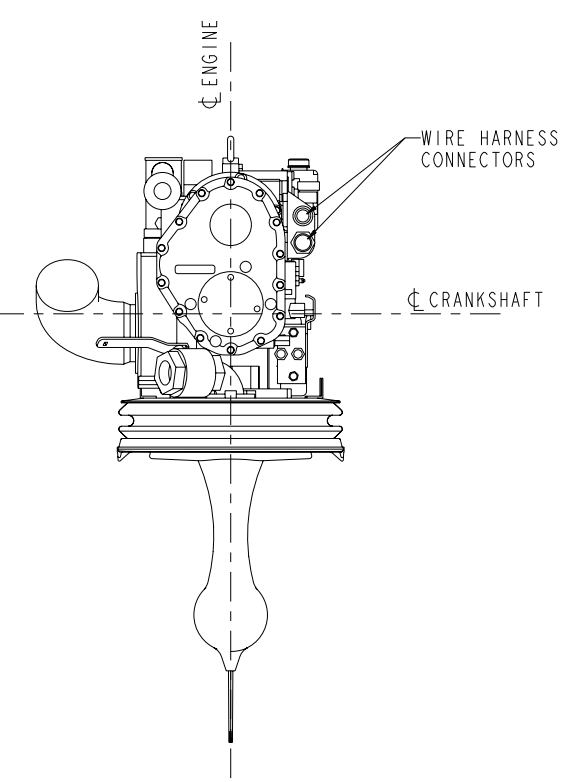
REVISIONS			
ZONE	REV	DESCRIPTION	APP'D
00	RELEASED		



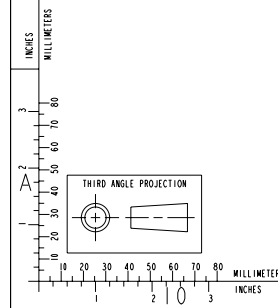
TOP VIEW
(SHROUD REMOVED)



RIGHT SIDE
(SHROUD & SHIELDS REMOVED)



FRONT VIEW



PRODUCT GRAPHICS FILE
NO ORIGINAL DRAWING EXISTS FOR THIS ITEM. THE ENGINEERING GRAPHICS DATA FOR THIS ITEM RESIDES IN THE PRODUCT GRAPHICS FILE AND IS CONTROLLED BY THE AGENCY DESIGNATED AS HAVING ITEM CONTROL.

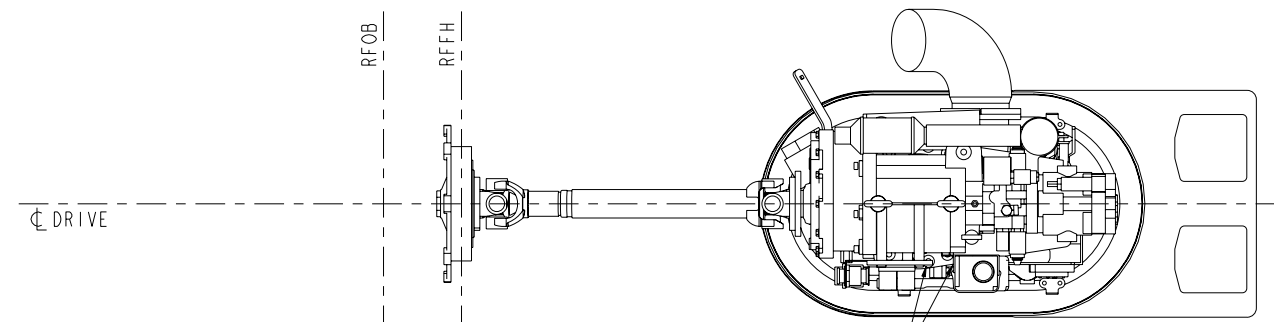
PRELIMINARY
NOTE: THIS DRAWING HAS NOT COMPLETED ALL REQUIRED PRODUCT RELEASE CHECK PROCESSES.

DO NOT SCALE THIS DRAWING
THIS DRAWING/DATA FILE (AND THE INFORMATION SHOWN THEREON) IS CONFIDENTIAL AND PROPRIETARY AND SHALL NOT BE USED, DISCLOSED TO OTHERS, OR REPRODUCED BY ANY MEANS FOR ANY PURPOSE IN HARD COPY FORM OR IN MACHINE READABLE FILES, WITHOUT WRITTEN CONSENT OF CUMMINS INC., MARKETING CAD SERVICES DEPARTMENT.

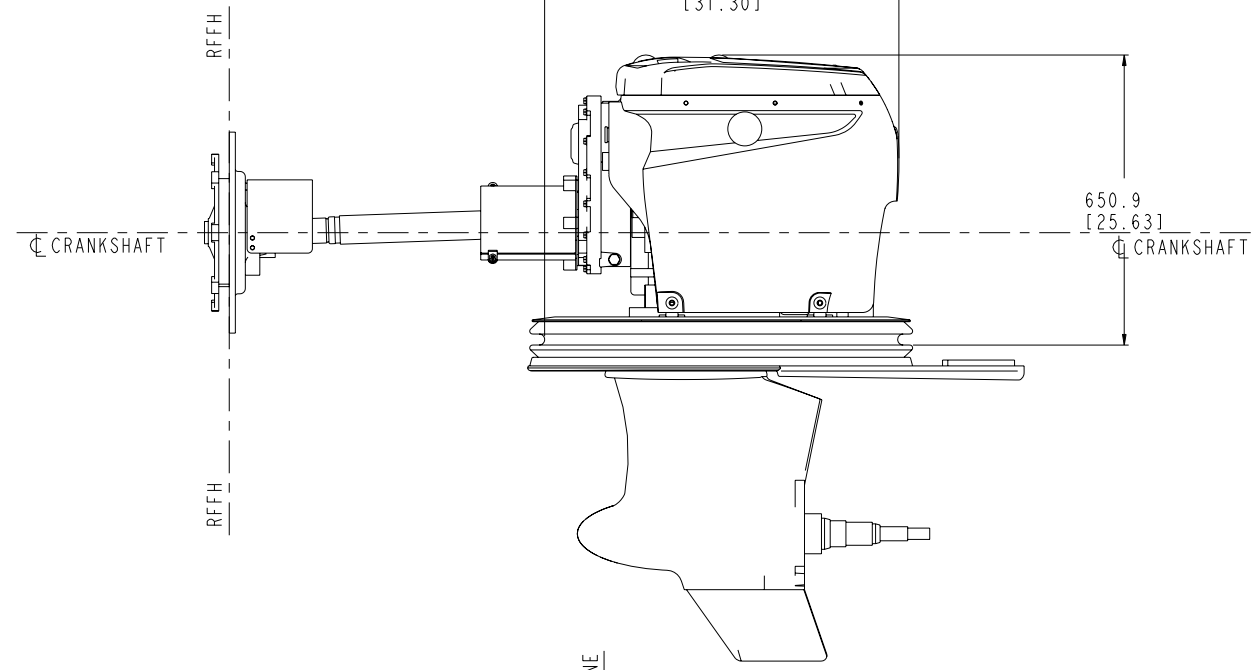
LAST SECTION LETTER USED:	REF. DRAWING STANDARDS: ANSI Y14.5M ISO 81101	CUMMINS INC.	
UNLESS OTHERWISE SPECIFIED DIMENSIONS ARE IN: MILLIMETERS () ARE IN: INCHES	ITEM NAME: QSB 6.7L W/ ZEUS DRIVE	IDENTIFIER: INSTALLATION DIAGRAM	
DWN: UNCHECKED	APPD: UNCHECKED	SIZE CODE (IDENT. NO.): J	ITEM NUMBER: 4954003
APPD:	SCALE: N/A	ITEM CONTROL: MCS	SHEET 3 OF 4

ITEM NUMBER
4954003

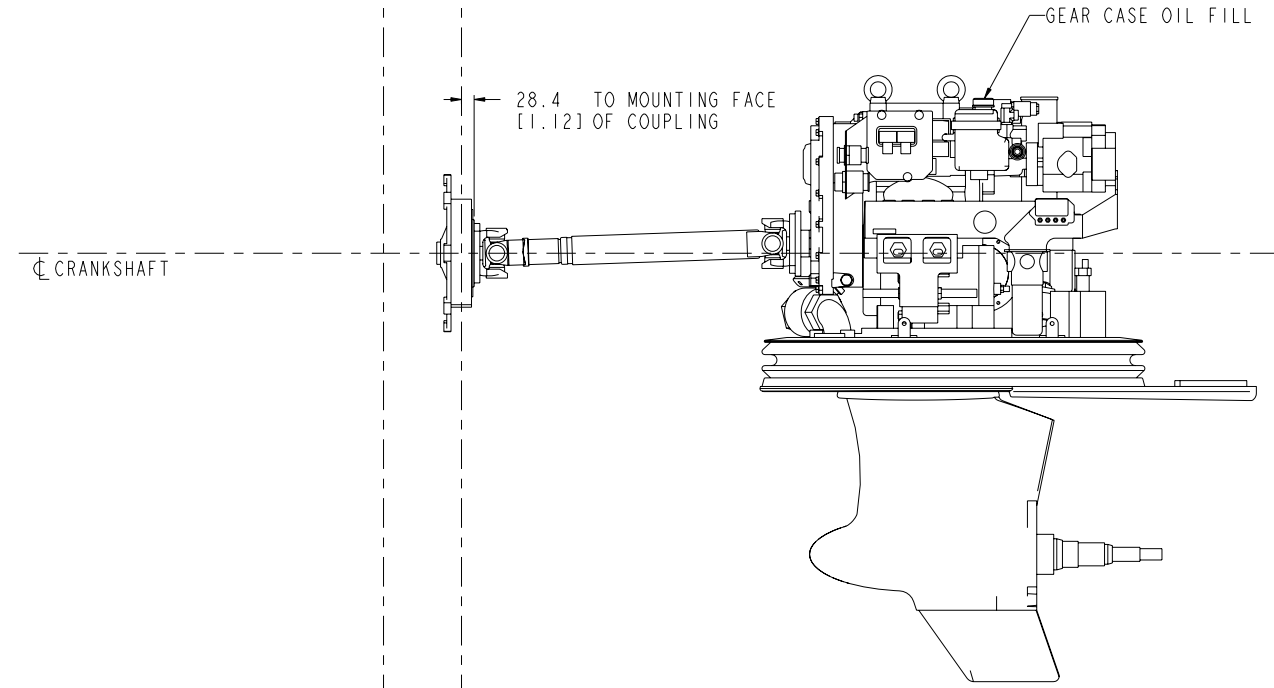
REVISIONS			
ZONE	REV	DESCRIPTION	APP'D
00	RELEASED		



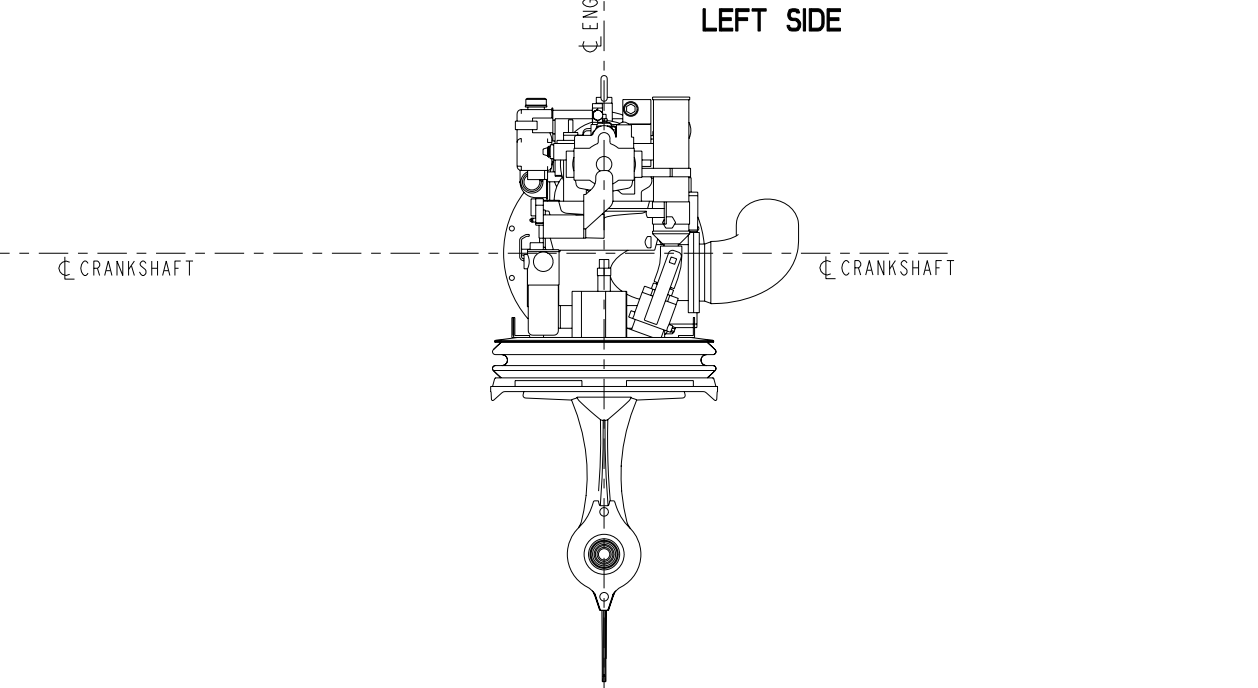
TOP VIEW
(SHROUD REMOVED)



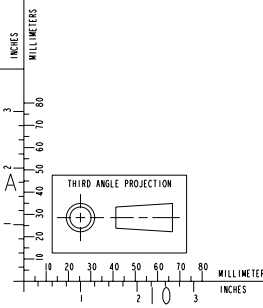
LEFT SIDE



LEFT SIDE
(SHROUD & SHIELDS REMOVED)



REAR VIEW
(SHROUD & SHIELDS REMOVED)



PRELIMINARY

NOTE: THIS DRAWING HAS NOT COMPLETED ALL REQUIRED PRODUCT RELEASE CHECK PROCESSES.

DO NOT SCALE THIS DRAWING

THIS DRAWING/DATA FILE (AND THE INFORMATION SHOWN THEREON) IS CONFIDENTIAL AND PROPRIETARY AND SHALL NOT BE USED, DISCLOSED TO OTHERS, OR REPRODUCED BY ANY MEANS FOR ANY PURPOSE IN HARD COPY FORM OR IN MACHINE READABLE FILES, WITHOUT WRITTEN CONSENT OF CUMMINS INC., MARKETING CAD SERVICES DEPARTMENT.

PRODUCT GRAPHICS FILE
NO ORIGINAL DRAWING EXISTS FOR THIS ITEM. THE ENGINEERING GRAPHICS DATA FOR THIS ITEM RESIDES IN THE PRODUCT GRAPHICS FILE AND IS CONTROLLED BY THE AGENCY DESIGNATED AS HAVING ITEM CONTROL.

LAST SECTION LETTER USED:	REF. DRAWING STANDARDS: ANSI Y14.5M ISO 81101	CUMMINS INC.	
UNLESS OTHERWISE SPECIFIED DIMENSIONS ARE IN: MILLIMETERS () ARE IN: INCHES	ITEM NAME	QSB 6.7L W/ ZEUS DRIVE	
DWN: TMO/TGANG	IDENTIFIER	INSTALLATION DIAGRAM	
CHD: UNCHECKED	SIZE CODE (IDENT. NO.)	J	
APPD:	ITEM NUMBER	4954003	
	SCALE: N/A	ITEM CONTROL: MCS	SHEET 4 OF 4