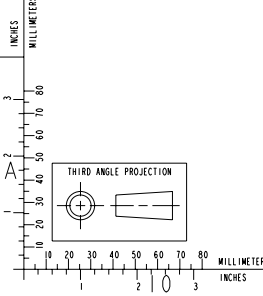
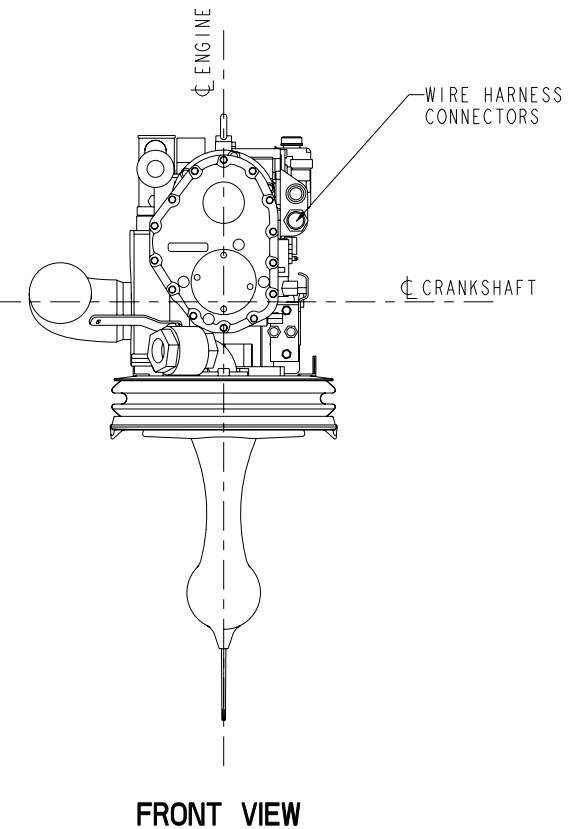
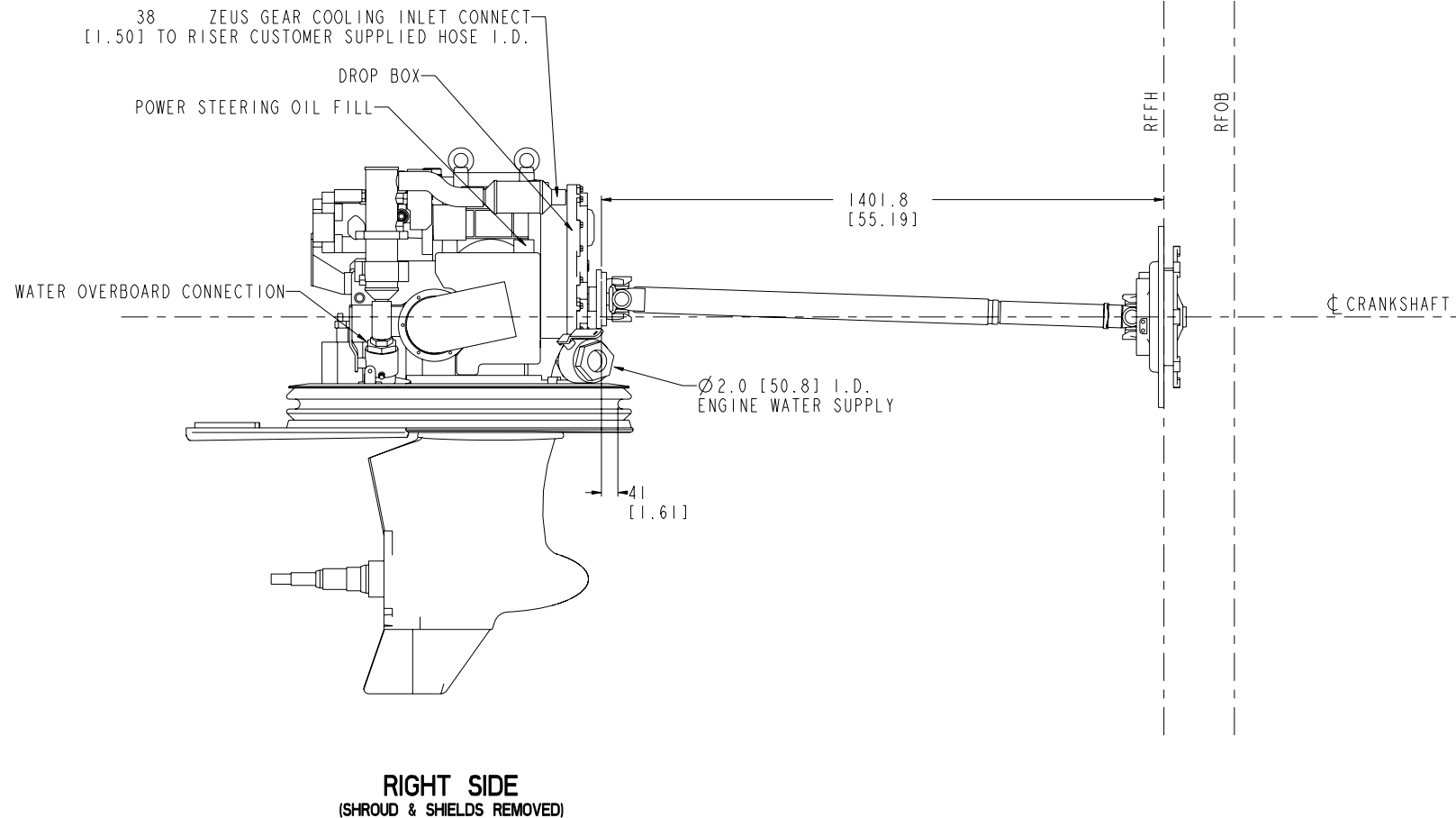
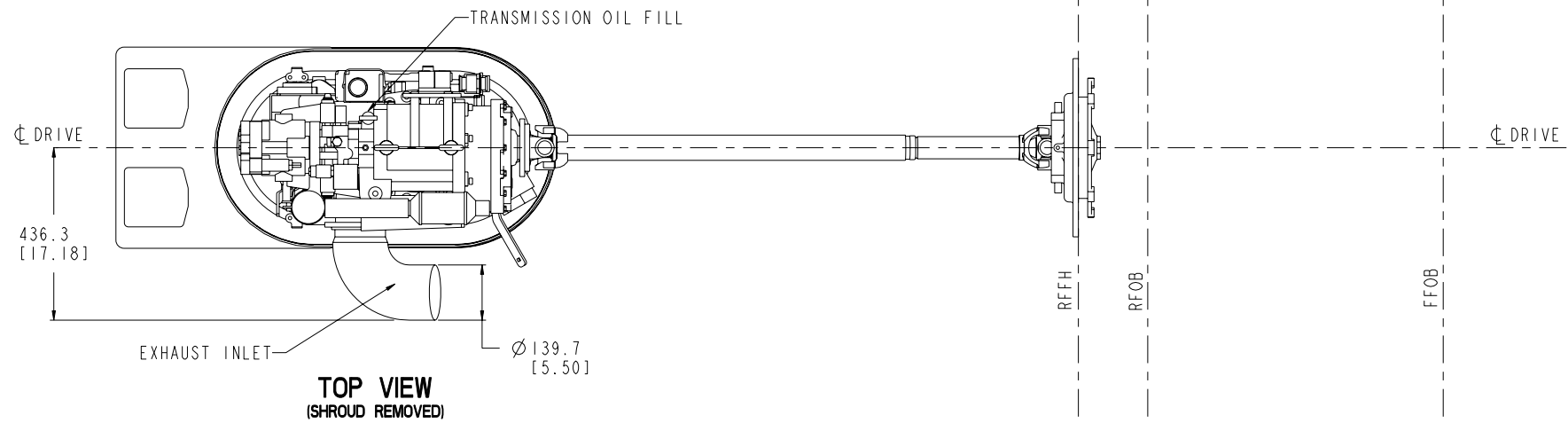


ITEM NUMBER  
4954004

REVISIONS			
ZONE	REV	DESCRIPTION	APP'D
00	RELEASED		



**PRELIMINARY**

NOTE: THIS DRAWING HAS NOT COMPLETED ALL REQUIRED PRODUCT RELEASE CHECK PROCESSES.

DO NOT SCALE THIS DRAWING

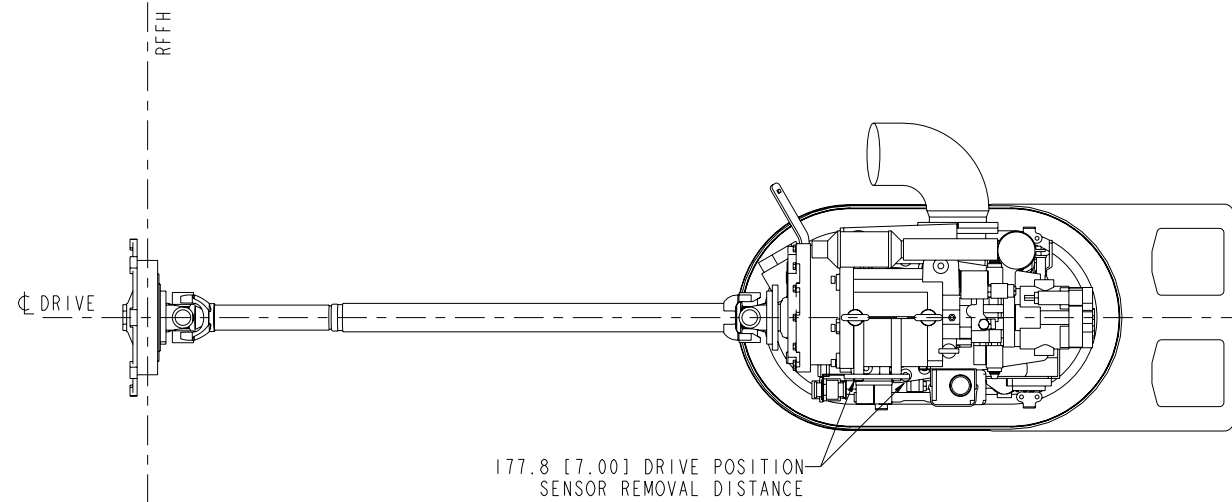
THIS DRAWING/DATA FILE (AND THE INFORMATION SHOWN THEREON) IS CONFIDENTIAL AND PROPRIETARY AND SHALL NOT BE USED, DISCLOSED TO OTHERS, OR REPRODUCED BY ANY MEANS FOR ANY PURPOSE IN HARD COPY FORM OR IN MACHINE READABLE FILES, WITHOUT WRITTEN CONSENT OF CUMMINS INC., MARKETING CAD SERVICES DEPARTMENT.

PRODUCT GRAPHICS FILE  
NO ORIGINAL DRAWING EXISTS FOR THIS ITEM. THE ENGINEERING GRAPHICS DATA FOR THIS ITEM RESIDES IN THE PRODUCT GRAPHICS FILE AND IS CONTROLLED BY THE AGENCY DESIGNATED AS HAVING ITEM CONTROL.

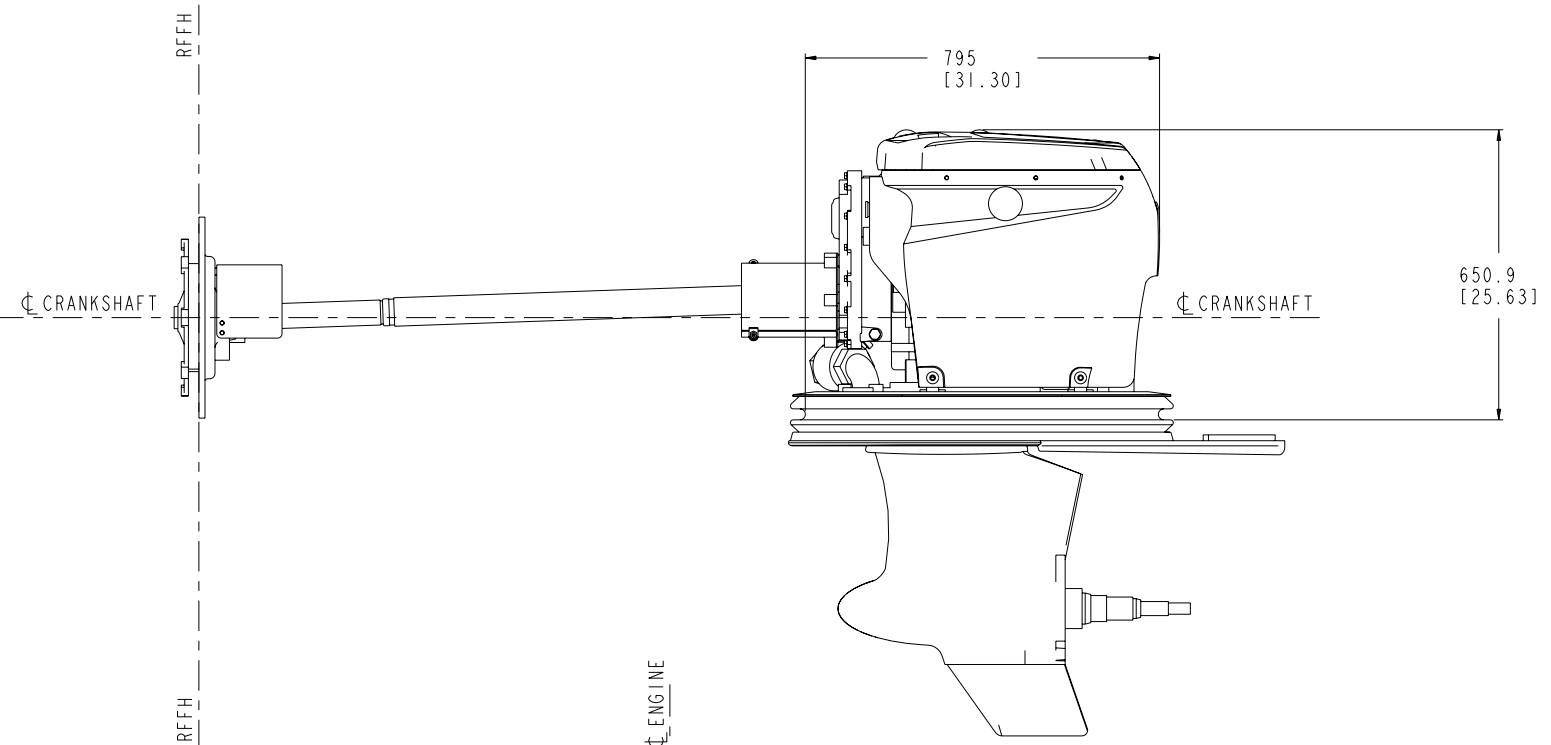
LAST SECTION LETTER USED:	REF. DRAWING STANDARDS: ANSI Y14.5M ISO 81101	<b>CUMMINS INC.</b>	
UNLESS OTHERWISE SPECIFIED DIMENSIONS ARE IN: MILLIMETERS ( ) ARE IN: INCHES	ITEM NAME: QSB 6.7L W/ ZEUS DRIVE	IDENTIFIER: INSTALLATION DIAGRAM	
DWN: UNCHECKED	APPD: UNCHECKED	SIZE CODE (IDENT. NO.): J	ITEM NUMBER: 4954004
APPD:	SCALE: N/A	ITEM CONTROL: MCS	SHEET 3 OF 4

ITEM NUMBER  
4954004

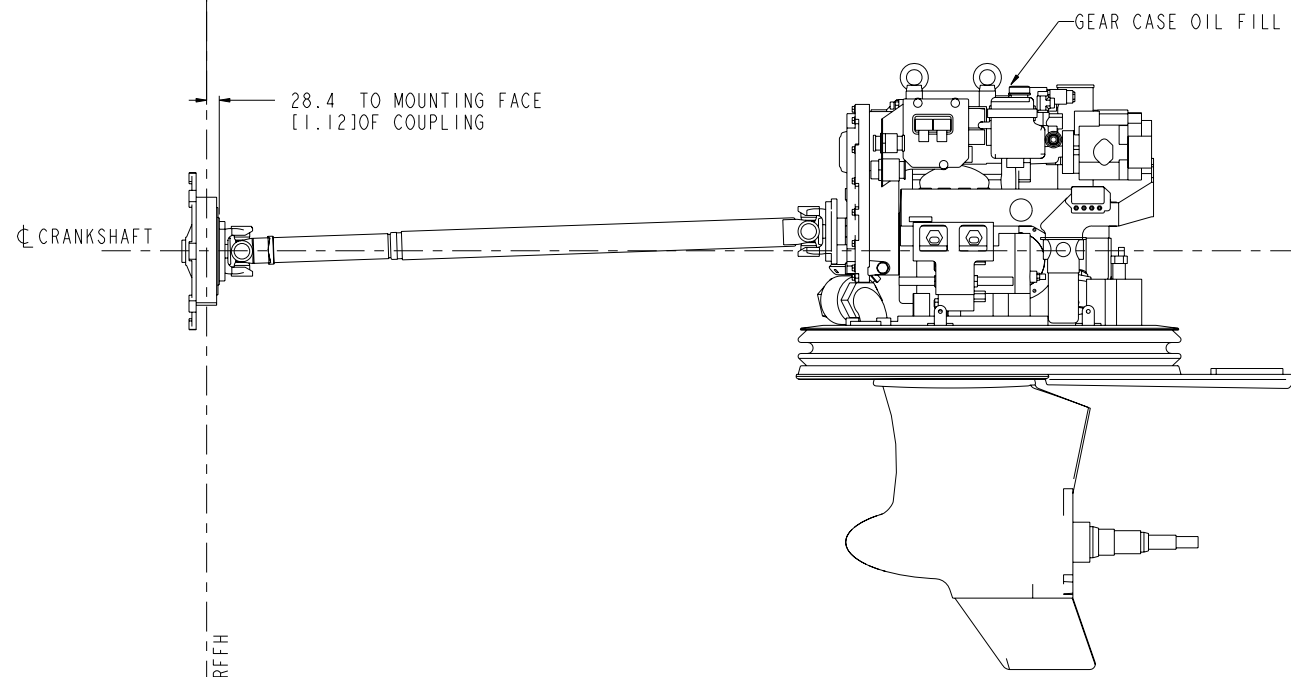
REVISIONS			
ZONE	REV	DESCRIPTION	APP'D
00	RELEASED		



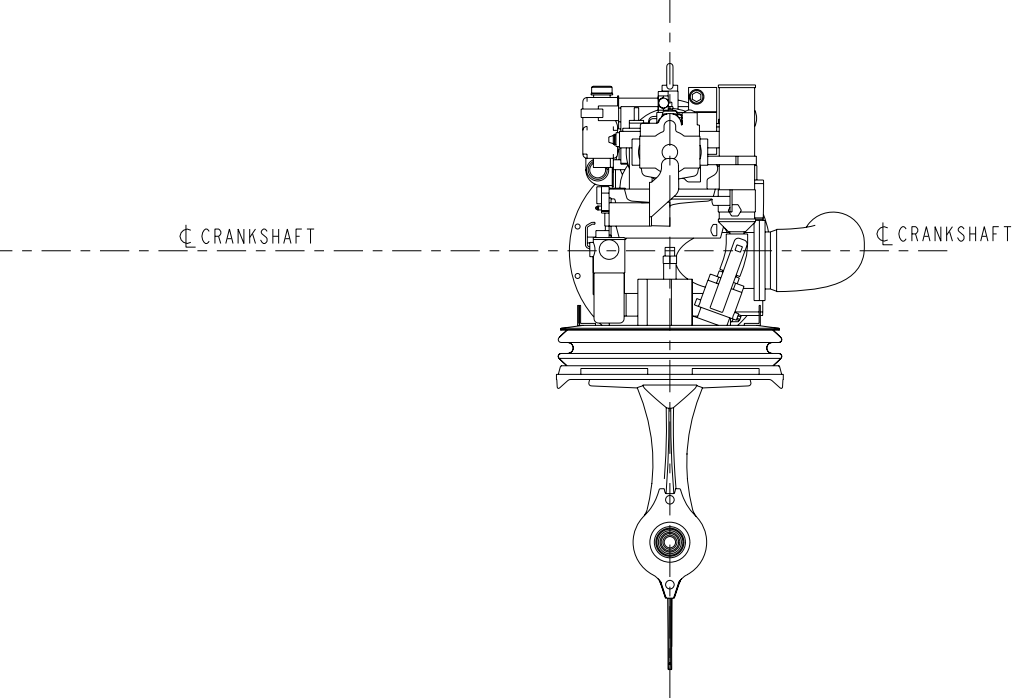
**TOP VIEW**  
(SHROUD REMOVED)



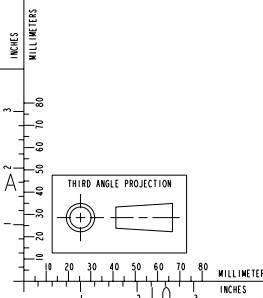
**LEFT SIDE**



**LEFT SIDE**  
(SHROUD & SHIELDS REMOVED)



**REAR VIEW**  
(SHROUD REMOVED)



**PRELIMINARY**

NOTE: THIS DRAWING HAS NOT COMPLETED ALL REQUIRED PRODUCT RELEASE CHECK PROCESSES.

DO NOT SCALE THIS DRAWING

THIS DRAWING/DATA FILE (AND THE INFORMATION SHOWN THEREON) IS CONFIDENTIAL AND PROPRIETARY AND SHALL NOT BE USED, DISCLOSED TO OTHERS, OR REPRODUCED BY ANY MEANS FOR ANY PURPOSE IN HARD COPY FORM OR IN MACHINE READABLE FILES, WITHOUT WRITTEN CONSENT OF CUMMINS INC., MARKETING CAD SERVICES DEPARTMENT.

PRODUCT GRAPHICS FILE  
NO ORIGINAL DRAWING EXISTS FOR THIS ITEM. THE ENGINEERING GRAPHICS DATA FOR THIS ITEM RESIDES IN THE PRODUCT GRAPHICS FILE AND IS CONTROLLED BY THE AGENCY DESIGNATED AS HAVING ITEM CONTROL.

LAST SECTION LETTER USED:	REF. DRAWING STANDARDS: ANSI Y14.5M ISO 81101	<b>CUMMINS INC.</b>	
UNLESS OTHERWISE SPECIFIED DIMENSIONS ARE IN: MILLIMETERS ( ) ARE IN: INCHES	ITEM NAME: QSB 6.7L W/ ZEUS DRIVE	IDENTIFIER: INSTALLATION DIAGRAM	
DWN: UNCHECKED	APPD: UNCHECKED	SIZE CODE (IDENT. NO.): J	ITEM NUMBER: 4954004
SCALE: N/A	ITEM CONTROL: MCS	SHEET 4 OF 4	